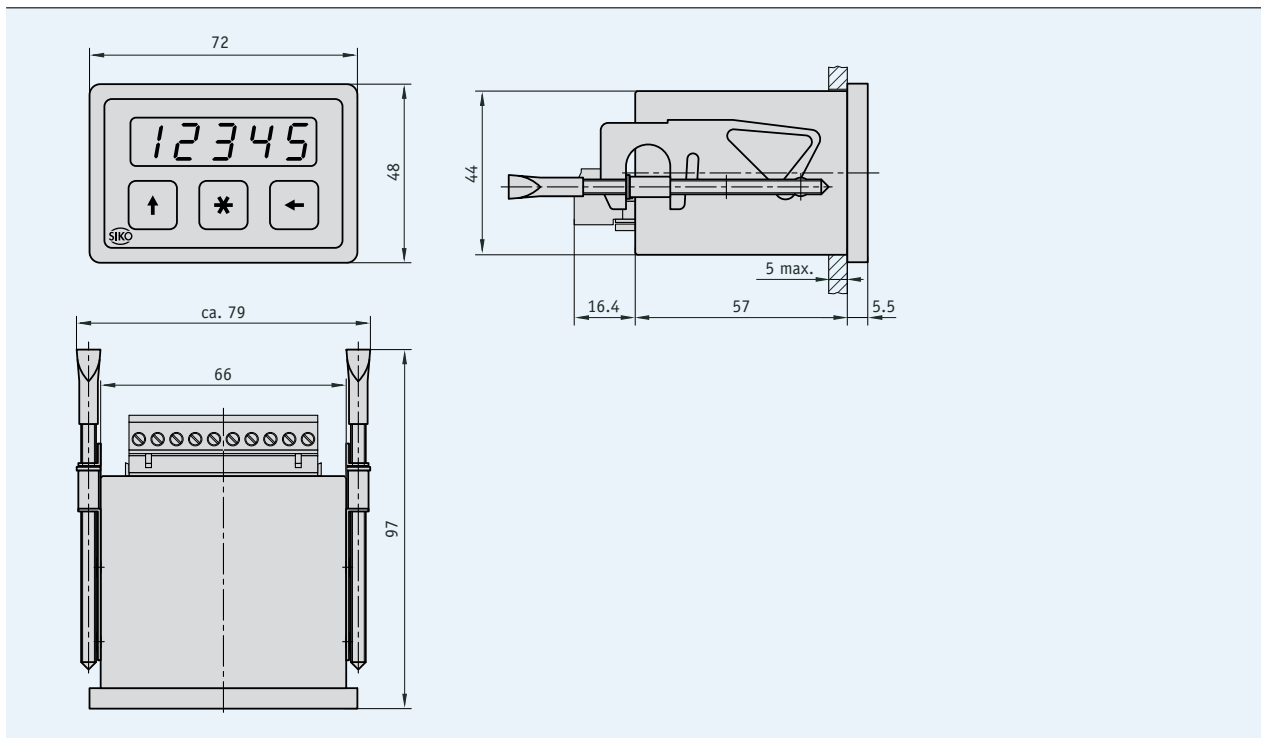


### Profile

- LED display (1 line of 5 digits)
- Inputs for incremental sensors, length and angle measurement, rotational speed or number of pieces
- Free programming via front keyboard
- Incremental measurement function (operating mode I), actual value memory (operating modes I and S)
- With reference connection
- Programming enabled via external input (keyswitch)
- Compact design



### 6.1



### Mechanical data

Feature	Technical data	Additional information
Operating temperature	0 ... +50 °C	
Storage temperature	-20 ... +85 °C	
Condensation	inadmissible	
Protection category	IP40 whole device IP60 front with switchboard mounting	DIN 40050
Connections	plug strip	
Keyboard	membrane keys with pressure point	
Housing	plastic, with clamping clips	switchboard cutout 45 x 68 mm, DIN 43700
Weight	approx. 0.15 kg	

### Electrical data

Feature	Technical data	Additional information
Voltage supply	12 ... 28 V DC	
Current consumption	100 mA	with 24 V, without encoder
Display	5-digit, LED, 10 mm, red	
Display range	-99 999 ... +99 999	
Encoder input	PP, OC, OE, TTL5, TTL24	
Encoder input frequency	25 kHz	with referencing max. 1 kHz
Encoder supply	24 V DC (200 mA) 5 V DC (100 mA)	
Counter capacity	223 increments	
Pulse analysis	4-fold	
Interference protection class	EN61000-6-2, EN6100-6-4	

### Pin assignment

Incremental	Speed	Number of pieces	PIN
+ Ub encoder supply	+ Ub encoder supply	+ Ub encoder supply	1
A-signal	A-signal	A-signal	2
B-signal	N.C.	N.C.	3
Index signal I/O	N.C.	N.C.	4
GND, screen encoder supply	GND, screen encoder supply	GND, screen encoder supply	5
RFS	N.C.	Reset	6
GND	GND	GND	7
configuration	configuration	configuration	8
L (+ Ub)	L (+ Ub)	L (+ Ub)	9
N	N	N	10

6.1

### Order

Feature	Order data	Specifications	Additional information
Operating mode	<b>I</b>	incremental	
	<b>D</b>	speed measurement	
	<b>S</b>	number of pieces measurement	
Encoder input	<b>PP</b>	push-pull	
	<b>OC</b>	open collector	
	<b>OE</b>	open emitter 24 V	
	<b>TTL/5</b>	5 V	only operating mode I
	<b>TTL/24</b>	24 V	only operating mode I

#### Order code

MA07/1 -  -

Scope of delivery: MA07/1, User information, Mating connectors

**Additional information:**

General information and areas of application

Page 4 cont.