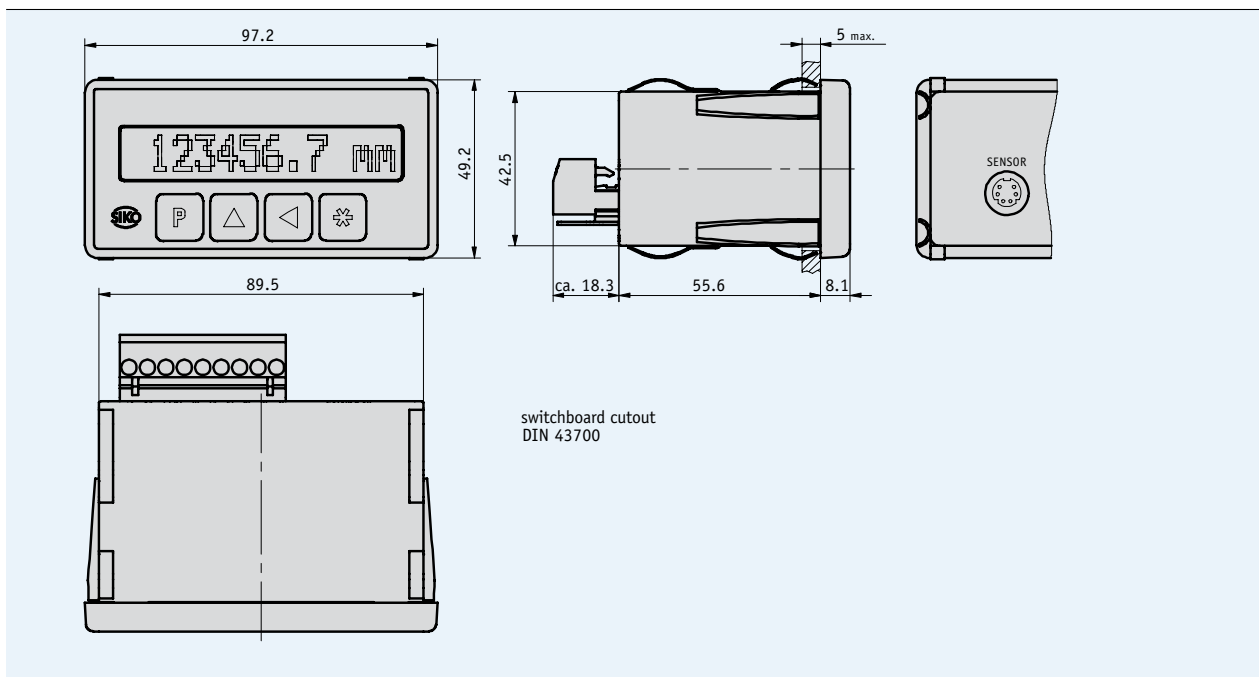


Profile

- Display accuracy max. 1 μm
- Repeat accuracy max. $\pm 1 \mu\text{m}$
- High-contrast LCD, 12-digit LCD dot matrix
- Incremental measurement and reset function
- Direct reference/offset value input
- Reference input
- Works with sensor MS100/1
- Option: serial interface RS232/RS485



5.1



Mechanical data

Feature	Technical data	Additional information
System accuracy	$\pm(0.01 + 0.01 \times L)$ mm, L in m	at $T_U = 20 \text{ }^\circ\text{C}$ with MB100
Repeat accuracy	max. $\pm 1 \mu\text{m}$	± 1 digit
Magnetic sensor	type MS100/1	incremental
Supply connection	9-pin screw-type terminal strip (EG)	IEC connector TG
Sensor connection	Mini-DIN-bush	pluggable
Calibration input	9-pin screw-type terminal strip	
Display/display range	12-digit LCD dot matrix	-9 999 999 ... +9 999 999 sign + units
Housing	plastic black	
Protection category	IP40 for whole device IP60 with switchboard installation	according to DIN 40050 according to DIN 40050
Operating temperature	0 ... +50 $^\circ\text{C}$	
Storage temperature	-20 ... +80 $^\circ\text{C}$	
Humidity	95 % rh	condensation inadmissible

Electrical data

Feature	Technical data	Additional information
Operating voltage	24 V DC ±20 % 230 V AC ±10 % 115 V AC ±10 %	
Current consumption	70 mA 20 mA 10 mA	24 V, incl. sensor 115 V, inkl. Sensor 230 V, incl. sensor
Interfaces/protocol	without RS232 with standard protocol RS485 with standard protocol	
Resolution	0.001, 0.01, 0.1, 1, 10 0.001, 0.01, 0.1, 1	in mm in inch
Interference protection class	3 according to IEC 801	
Switching output	with or without	

Pin assignment

Signal	Terminal
RESET	1
UB = +24 V DC (for reference switch) max. 50mA	2
GND	3
	4
RS232 (RXD) RS485 (DÜB) A2	5
RS232 (TXD) RS485 (DÜA) A1	6
PE	7
N (230/115 V AC) GND (24 V DC)	8
L (230/115 V AC) UB (24 V DC)	9

5.1

Order

Order table

Feature	Order data	Specifications	Additional information
Operating voltage	1	230 V AC ±10 %	
	2	115 V AC ±10 %	
	4	24 V DC ±20 %	
Interface/protocol	XX/XX	without	
	S1/00	RS232 with standard protocol	
	S3/00	RS485 with standard protocol	
Switching output	S0	without	
	SM	with	only with interface XX/XX

Order code

MA100/2 - EG - A - RM - B - C

Scope of delivery: MA100/2, User information

Additional information:

Short Description, Technical Details
Product Overview

Page 14 cont.
Page 4 cont.