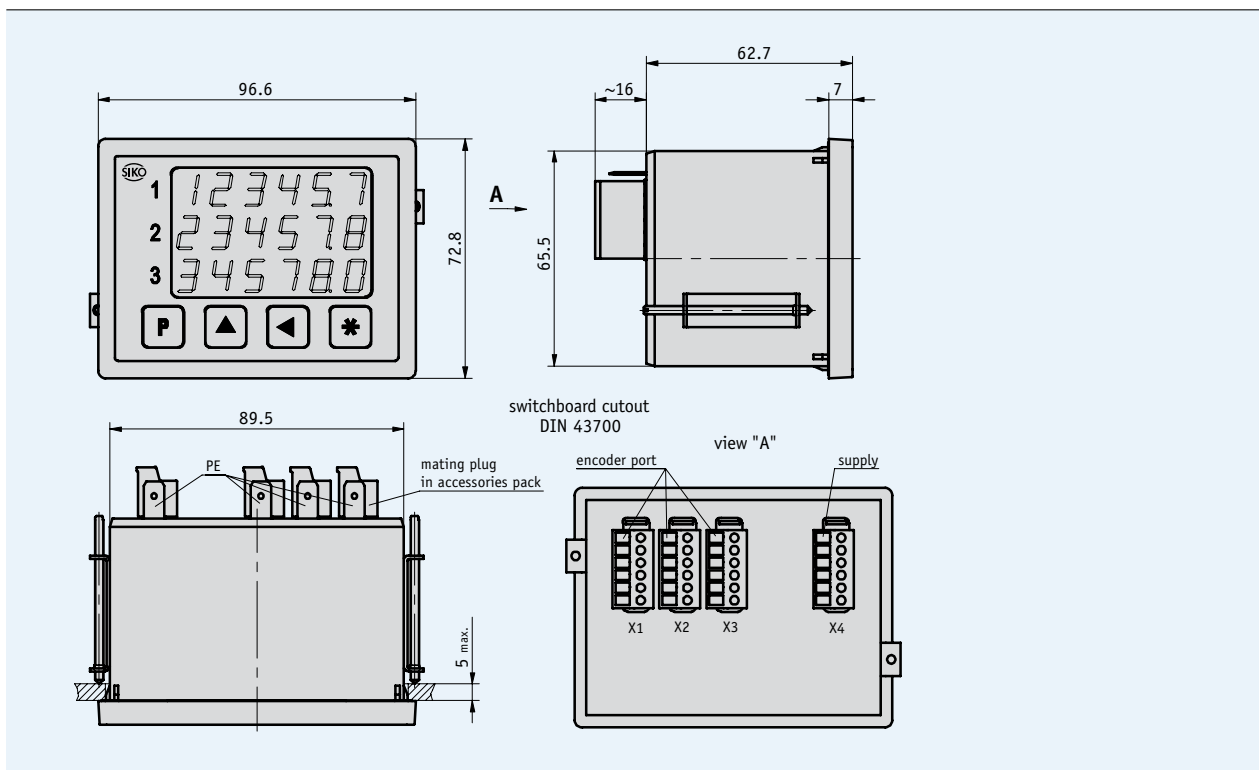


Profile

- LED readout for display of 3 measured values (3 lines of 6 digits)
- 3 inputs for incremental sensors, individually programmable, length and angle measurement
- Free programming via front keyboard (scaling factors, offset, reset value, etc.)



6.1

Mechanical data

Feature	Technical data	Additional information
Operating temperature	-10 ... +70 °C	
Storage temperature	-30 ... +80 °C	
Humidity	max. 95 % rF	
Condensation	inadmissible	
Protection category	IP40 for whole device IP60 front with switchboard mounting	DIN 40050
Connection	connector strip	
Keyboard	membrane keys with pressure point	
Housing	plastic	
Weight	approx. 0.25 kg	

Electrical data

Feature	Technical data	Additional information
Voltage supply	24 V DC ±10 %	reverse-polarity protection
Current consumption	<100 mA	with 24 V, without encoder
Display	3 x 7-segment LED, 6-digit, 10 mm	
Display range	each -99 999 ... +99 999	
Encoder input	PP (push-pull)	
Encoder input frequency	<100 kHz	
Encoder supply	max. 150 mA/channel	
Pulse analysis	4-fold	
Interference protection class	EN61000-6-2, EN6100-6-4	

Pin assignment

Encoder channel 1-3 (X1-X3) pin assignment

Assignment	No.
RFS	1
Index	2
B	3
A	4
+24VDC	5
GND	6

Supply (X4)

Assignment	No.
N.C.	1
N.C.	2
N.C.	3
N.C.	4
+24VDC	5
GND	6

Order

Order code

MA355 - XX/XX - SF - S

Scope of delivery: MA355, User information, Mating connectors

Additional information:

General information and areas of application

Page 4 cont.