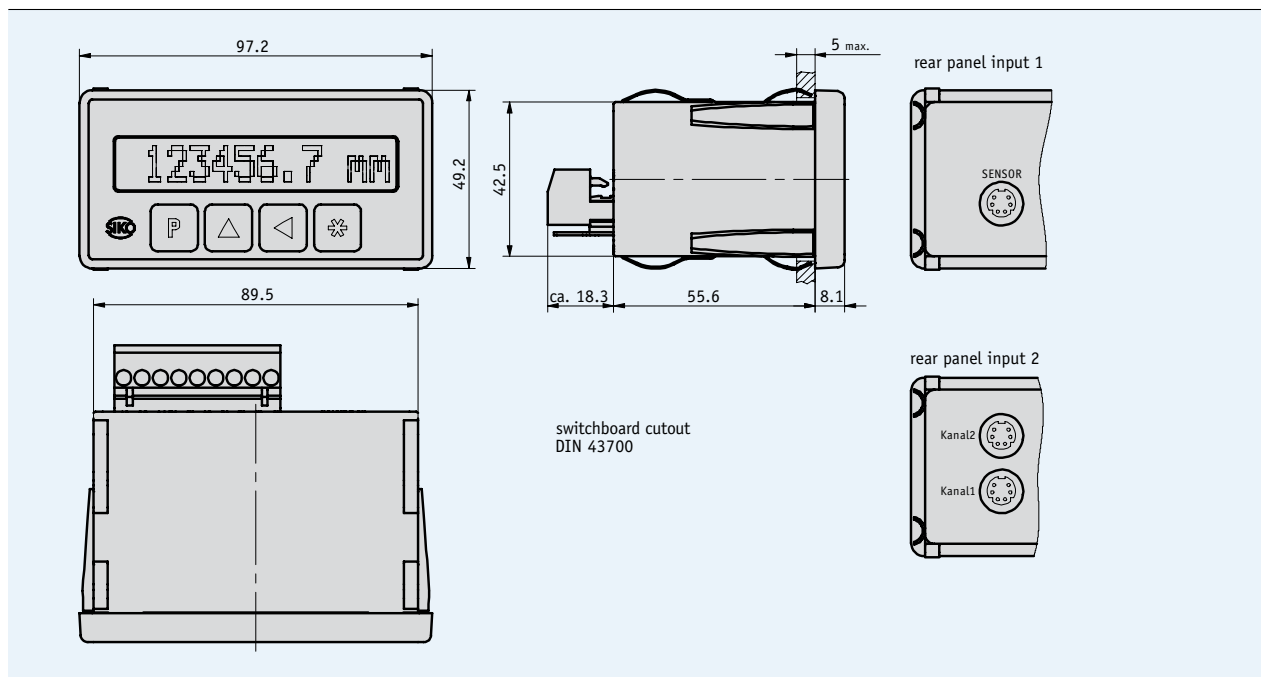


Profile

- Display accuracy max. 10 µm
- Repeat accuracy max. ±0.01 mm
- High-contrast LCD, 12-digit LCD dot matrix
- Incremental measurement and reset function
- Direct reference/offset value input
- Reference input
- Programmable actual-value memory
- Works with sensor MS500
- Option: serial interface RS232/RS485
- Option: 2 measurement channels



5.2

Mechanical data

Feature	Technical data	Additional information
System accuracy	±(0.05 + 0.01 x L) mm, L in m	at T _U = 20 °C
Repeat accuracy	max. ±0.01 mm	± 1 digit
Magnetic sensor	MS500	incremental
Supply connection	9-pin screw-type terminal strip	
Calibration input connection	9-pin screw-type terminal strip	
Sensor connection	mini-DIN	
Display/display range	12-digit LCD dot matrix	-9 999 999 ... 9 999 999, sign, units
Sensor travel speed	5 m/s	with reading distance of 0.1 ... 2 mm
Design	panel-mount housing cut-out 92 x 45 mm	Noryl GFN 2SE 1, snap module
Housing	plastic black	
Protection category	IP40 for whole device	according to DIN 40050
	IP60 with switchboard installation	according to DIN 40050
Operating temperature	0 ... +50 °C	
Storage temperature	-20 ... +80 °C	
Humidity	95 % rh	condensation inadmissible

Electrical data

Feature	Technical data	Additional information
Operating voltage	24 V DC ±20 % 230 V AC ±10 % 115 V AC ±10 %	
Current consumption	70 mA 20 mA 10 mA	24 V, incl. sensor 115 V, incl. sensor 230 V, incl. sensor
Interfaces/protocol	RS232 with standard protocol RS485 with standard protocol	
Resolution	0.01, 0.1, 1, 10 0°–90°–0° / 0°–360°	linear path measurement, in mm angle measurement, max. 0.001°
Interference protection class	3	according to IEC 801
Switching output	with or without	

Pin assignment

panel-mount housing EG

signal	PIN	signal	PIN
Reset	1	TXD (RS232); DÜA (RS485); A1 (switching output)	6
UB= +24 V for calibration input	2	PE	7
GND	3	GND (24 V DC)	8
N.C.	4	N (230/115 V AC)	9
RXD (RS232); DÜB (RS485); A2 (switching output)	5	UB (24 V DC)	
		L (230/115 V AC)	

Order

Order table

Feature	Order data	Specifications	Additional information
Operating voltage	1	230 V AC ±10 %	
	2	115 V AC ±10 %	
	4	24 V DC ±20 %	
Interface/protocol	XX/XX	without	
	S1/00	RS232 with standard protocol	
	S3/00	RS485 with standard protocol	
Switching output	S0	without	
	SM	with	only with interface XX/XX
Input	1	one channel	
	2	two channels	
Software	S		
	SW01	for two channels	

Order code

MA502 - EG - A - RM - B - C - D - E

Scope of delivery: MA502, User information

Additional information:

Short Description, Technical Details
Product Overview

Page 46 cont.
Page 4 cont.