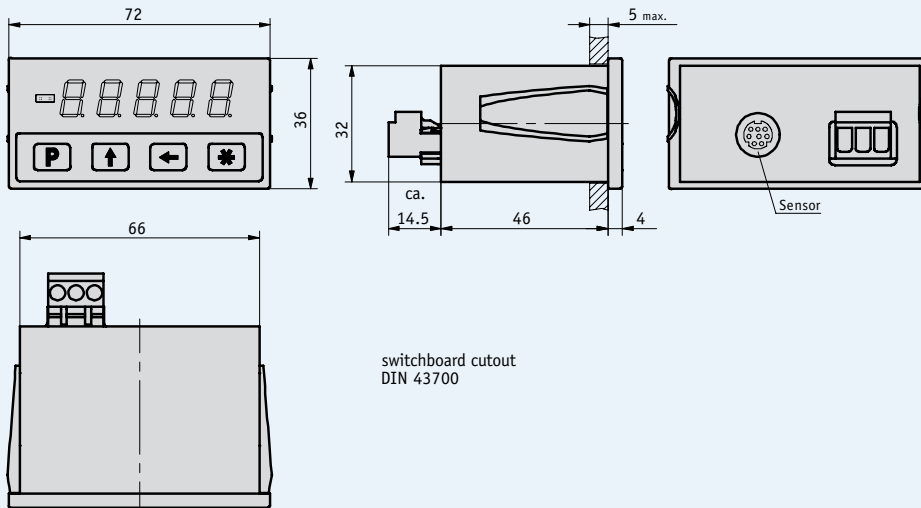


**Profile**

- Max. display accuracy 10 µm
- Repeat accuracy ±1 digit, max. ±0.01 mm
- Reference input



**Mechanical data**

Feature	Technical data	Additional information
System accuracy	±(0.05 + 0.03 x L) mm, L in m	
Repeat accuracy	±1 digit	max. ±0.01 mm
Magnetic sensor	MSA	
Supply connection	3-pin terminal strip	
Sensor connection	pluggable via Mini-DIN	
Display/display range	5-digit LED, red, 10 mm	-99 999 ...+99 999
Design	panel-mount housing, cutout 68 x 33 mm	
Housing	plastic, red transparent	snap module for switchboard installation
Protection category	IP40 according to DIN 40050 for whole device	IP60 according to DIN 40050 with switchboard installation
Operating temperature	0 ... +50 °C	
Storage temperature	-20 ... +85 °C	
Humidity	max. 95 % rh	condensation inadmissible

## Electrical data

Feature	Technical data	Additional information
Operating voltage	10 ... 30 V DC	
Current consumption	<50 mA with 24 V DC	incl. sensor
Resolution	0.01, 0.05, 0.1, 1 mm 0.001 inch, 0.01 inch	programmable angle display
Interference protection class	3	according to IEC 801

## Pin assignment

Signal
CAL
+UB
GND

## Order

### Order code

MA561 - MSA

**Scope of delivery:** MA561, User information

 **Additional information:**

Short Description, Technical Details  
Product Overview

Page 46 cont.  
Page 4 cont.