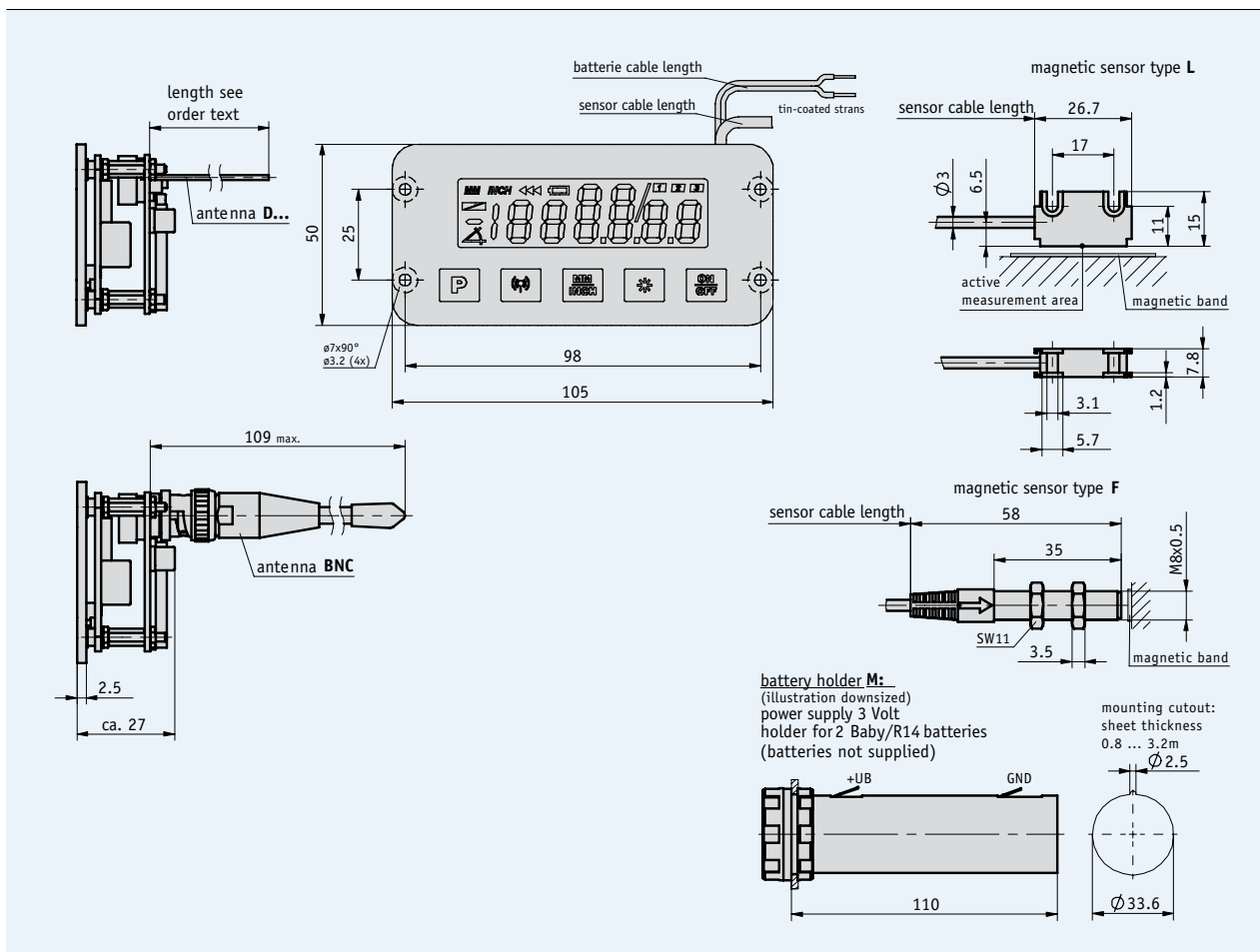


Profile

- Display accuracy max. 10 µm or 1/64 inch
- Repeat accuracy max. ±0.01 mm
- Low-power LCD with decimal and fraction-inch function
- Max. sensor/band reading distance 2 mm
- Battery-buffered memory
- Battery operation
- Works with receiver module RTX500



5.2

Mechanical data

Feature	Technical data	Additional information
System accuracy	±0.1 mm	
Repeat accuracy	max. ±0.01 mm	± 1 digit
Magnetic sensor	hard-wired	
Supply connection	strand led to the outside	external battery holder
Display/display range	-999 999 ... 999 999	
V _{max} of sensor	5 m/s	with reading distance of 0.1–2 mm
Design	installation kit	
Protection category	IP40 (display) IP67 (sensor)	
Operating temperature	0 ... +60 °C	
Storage temperature	-20 ... +70 °C	
Humidity	condensation inadmissible	

Electrical data

Feature	Technical data	Additional information
Operating voltage	2 ... 3,5 V DC	
Current consumption	Display: max. 600 µA with 3 V DC send operation: 27 ... 55 mA with 3 V DC	
Interfaces/protocol	RS232/RS485	see RTX500 receive side
Resolution	max. 10 µm	


5.2

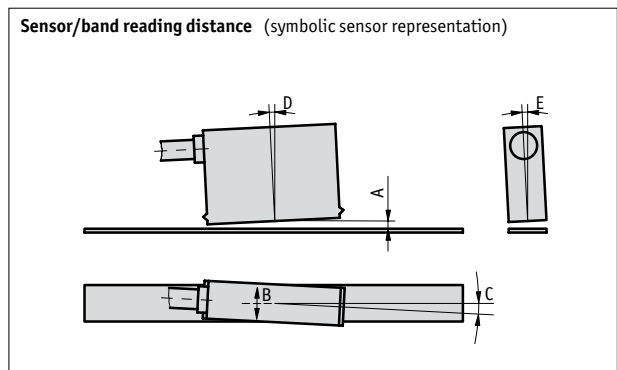
Pin assignment

Signal	Cable color
GND	black
+UB	red

Mounting instruction

A , Sensor/band reading distance	max. 2 mm
B , Lateral offset	max. ±2 mm
C , Misalignment	<±3°
D , Longitudinal tilt	<±1°
E , Lateral tilt	<±3°

 The connection must not be changed (e.g., different cable, cable length ...)



Order

Order table

Feature	Order data	Specifications	Additional information
Sensor design	L	A	rectangle with elongated hole
	F		round design
Sensor cable length	...	B	0.3 ... 2 m in steps of 0.1 m
Battery cable length	...	C	0.2 ... 2 m in steps of 0.1 m
Operating mode	TX	D	send
	RX		receive
Software	S	E	bi-directional communication
	SW05		
Battery holder	M	F	with
	O		without
Antenna	BNC	G	wire length 82 mm
	D82		radio frequency 915
	D86		wire length 86 mm
	D120		wire length 120 mm
Radio frequency MHz	869	H	worldwide outside USA
	915		USA

Order code

MA503/WL- ES - A - B - C - D - E - SF-83606 - F - G - H

Scope of delivery: MA503WL, User information

Additional information:

Short Description, Technical Details
Product Overview

Page 46 cont.
Page 4 cont.