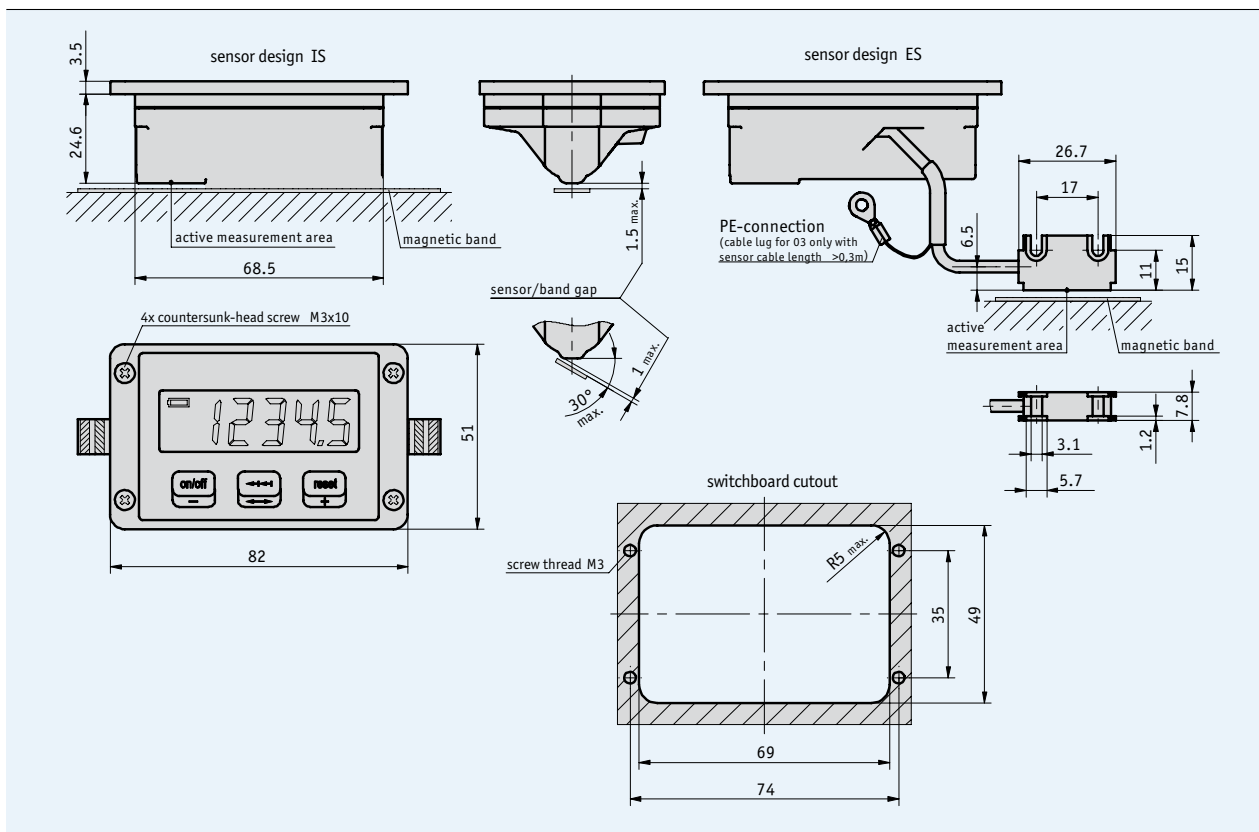


Profile

- Display accuracy max. 0.1 mm
- Repeat accuracy ± 1 digit
- Lowest-power LCD with integrated sensor
- Incremental measurement and reset function
- Direct offset value input
- Supply via integrated battery with up to 10 years of service life
- Programmable via programming tool PTM



5.2

Mechanical data


Feature	Technical data	Additional information
System accuracy	± 0.1 mm	
Repeat accuracy	± 1 digit	
Magnetic sensor	hard-wired	
Display/display range	-99 999 ... +99 999	
Design	panel-mount housing	
Housing	zinc die-cast	
Protection category	IP20 whole device IP60 display side	
Operating temperature	0 ... +60 °C	
Storage temperature	-20 ... +70 °C	
Humidity	95 % rh	condensation inadmissible
Travel speed	max. 3.5 m/s	

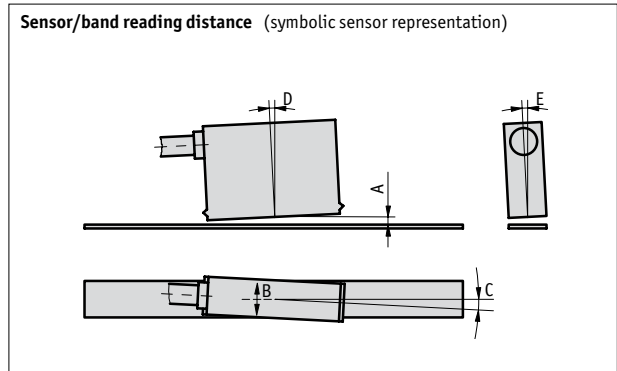
Electrical data

Feature	Technical data	Additional information
Interfaces/protocol	interface for PTM (programming tool)	
Resolution	0.1, 1, 1.25, 2, 2.5, 5, 10 mm	
Parameter settings	non-volatilely programmable	via external programming tool PTM

Mounting instruction

A, Sensor/band reading distance	max. 2 mm
B, Lateral offset	max. ±2 mm
C, Misalignment	<±3°
D, Longitudinal tilt	<±1°
E, Lateral tilt	<±3°

 The connection must not be changed (e.g., different cable, cable length ...)



5.2

Order

■ **Order table**

Feature	Order data	Specifications	Additional information
Sensor design	IS	integrated sensor	
	ES	external sensor	
Sensor cable length	...	0.1 ... 2 m in steps of 0.1 m	only with sensor design ES

■ **Order code**

MA508 - EG - - L - - SF-83083

Scope of delivery: MA508 with sensor, User information

Accessories:
Programming device PTM Page 174

Additional information:
Short Description, Technical Details Page 46 cont.
Product Overview Page 4 cont.