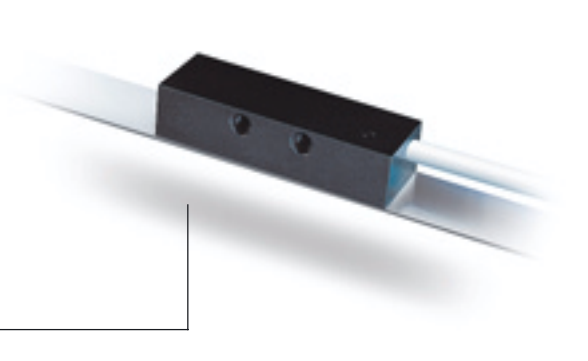


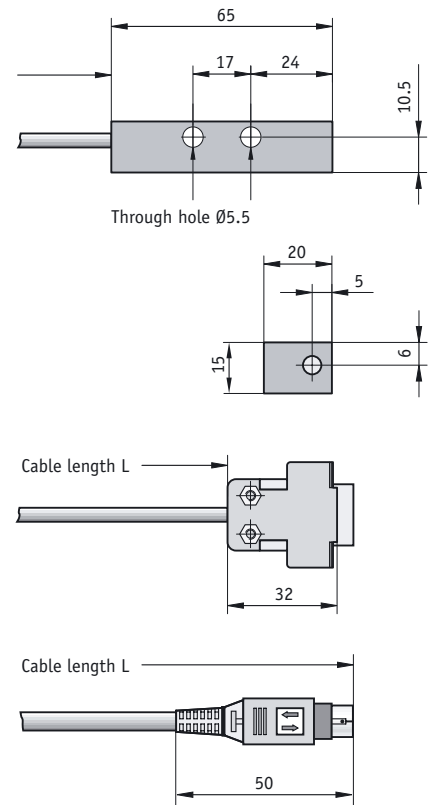
Magnetic sensor MSA

This sensor gathers the absolute length information of the coded MBA magnetic strip, transmitting it via the permanently connected sensor cable to the follower electronics.



Features:

- band/sensor gap max. 1 mm
- direct connection to magnetic display
- direct connection to translation module
- easy mounting and handling



Feature	Ordering data	Technical data	Additional information
MSA Magnetic sensor, type	A	A type	standard
Connection type	E8/2.0 E10	9-pin D-SUB, 2.0 m cable length Mini-DIN	standard, max. 20 m
Measuring length		max. 5120 mm	
Band/sensor gap		max. 1.0 mm	
Electrical connection		9 pin D-SUB	
Type of protection		IP67 according to DIN 40050	sensor head
Temperature ranges		operating temperature 0 ... +60 °C	storage temperature -20 ... +80 °C
Housing		transparent chromated aluminium	

Note: In Austria and Switzerland this sensor is sold under the name of "AMSA".

Your order:

MSA - -