

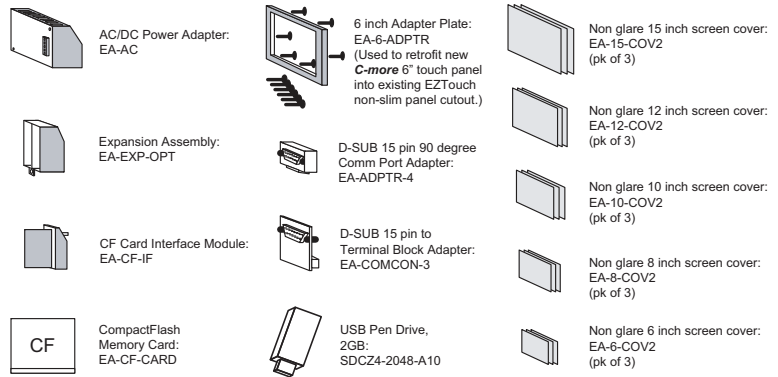
# C-more Accessories

## Accessories

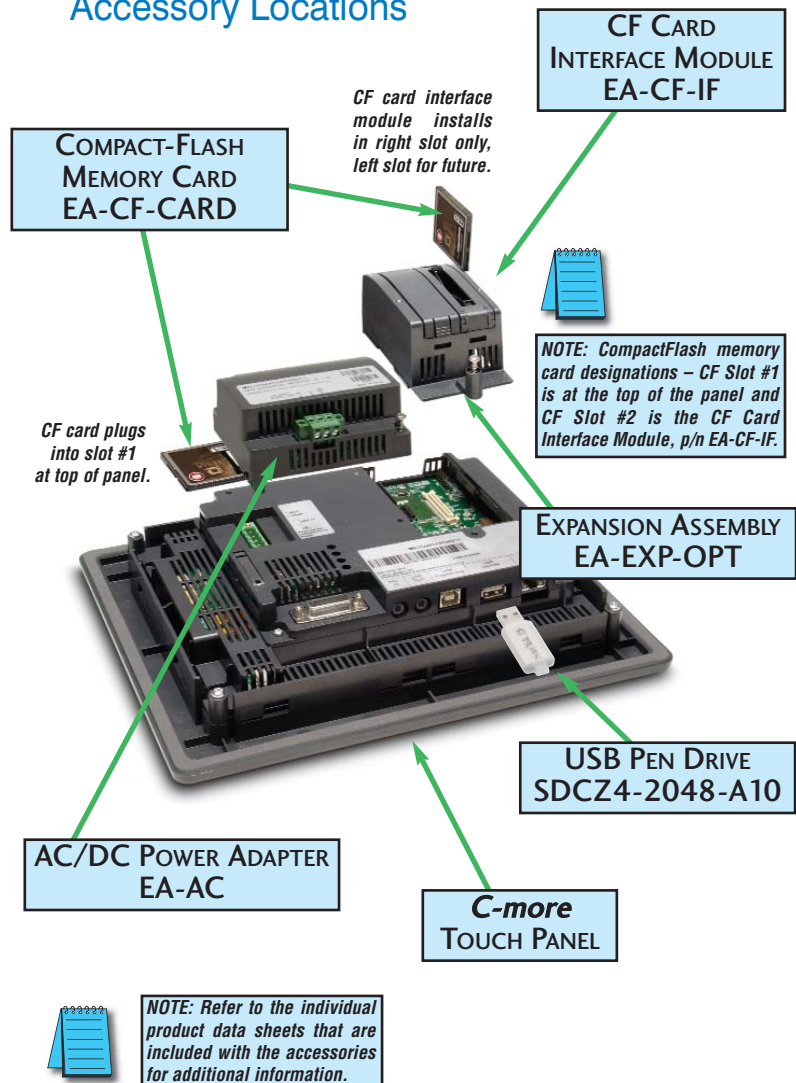
The **C-more** touch panels can be enhanced with the accessories below:

Part Number	Description	Price
<b>EA-AC</b>	The AC/DC Power Adapter, EA-AC, is for <b>C-more</b> touch panels only, and is powered from a 100-240 VAC, 50/60 Hertz power source. The adapter provides 24 VDC @ 1.5 A. Power Fault features help protect data being logged to CompactFlash during power failures. The <b>C-more</b> panel must have firmware version 1.21 Build 6.18E or higher for proper operation.	<--->
<b>EA-EXP-OPT</b>	<b>C-more</b> I/O Module Expansion Assembly, used to hold secondary CompactFlash Adapter (EA-CF-IF) and future option modules	<--->
<b>EA-CF-IF</b>	CompactFlash Card Adapter Module, used when adding secondary CompactFlash option to Expansion Assembly. Compatible with EA-CF-CARD Compact-Flash memory card accessory.	<--->
<b>EA-CF-CARD</b>	512 MB CompactFlash Memory Option, industrial grade, high speed memory for non-volatile storage.	<--->
<b>EA-6-ADPTR</b>	6-inch mounting adapter plate, REQUIRED to mount a 6 inch <b>C-more</b> touch panel into enclosures with legacy wide-bezel EZTouch cutouts. Converts a 8.932 inch x 6.223 inch cutout to 7.522 inch x 5.625 inch cutout.	<--->
<b>EA-ADPTR-4</b>	D-SUB 15-pin 90 degree PLC serial communication port adapter (allows a PLC communication cable to be plugged in at a 90 degree angle to reduce panel depth requirements)	<--->
<b>EA-COMCON-3</b>	D-SUB 15-pin to 6-terminal PLC serial communication port adapter to allow wire terminal connections for RS-422/485 PLC communication cable.	<--->
<b>EA-6-COV2</b>	Non Glare 6 Inch Screen Cover, protective overlay used to protect the touch screen while helping to reduce the glare from external light sources. (pk of 3)	<--->
<b>EA-8-COV2</b>	Non Glare 8 Inch Screen Cover, protective overlay used to protect the touch screen while helping to reduce the glare from external light sources. (pk of 3)	<--->
<b>EA-10-COV2</b>	Non Glare 10-Inch Screen Cover, protective overlay used to protect the touch screen while helping to reduce the glare from external light sources. (pk of 3)	<--->
<b>EA-12-COV2</b>	Non Glare 12-Inch Screen Cover, protective overlay used to protect the touch screen while helping to reduce the glare from external light sources. (pk of 3)	<--->
<b>EA-15-COV2</b>	Non Glare 15-Inch Screen Cover, protective overlay used to protect the touch screen while helping to reduce the glare from external light sources. (pk of 3)	<--->
<b>SDCZ4-2048-A10</b>	USB Pen Drive, 2GB, SanDisk Cruzer micro Pen Drive. Compatible with Windows 98SE, ME, 2000, XP and Mac OS 9.1.x+, OS X 10.1.2+ Certified Windows XP and Mac OS X. Recommended for use with the <b>C-more</b> Operator Touch Panels.	<--->

## Accessories at a glance:



## Accessory Locations



# C-more Accessories

## AC/DC Power Adapter

The AC/DC Power Adapter provides dedicated DC power to the panel if using 110 VAC as a power source. The AC/DC Power Adapter provides some features that a normal DC power supply cannot provide. The adapter provides a power loss signal to the touch panel that can be used to track power outages. This

signal also allows the touch panel by way of a timed sequence to stop writing data to CompactFlash memory devices providing a controlled shutdown for increased data logging reliability.

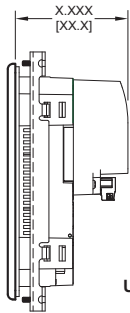
Part No. EA-AC



## Dimensions

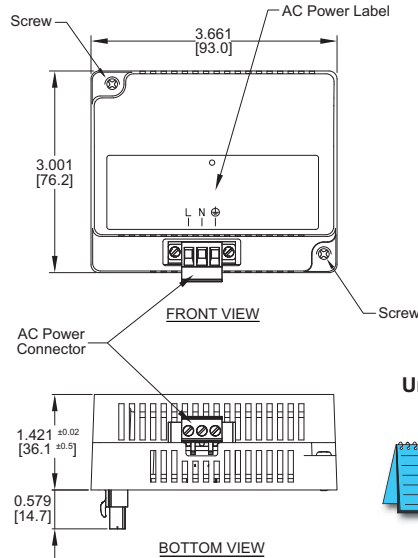


### Overall Panel Depth w/ EA-AC Installed



- EA7-S6M-R = 2.921 [74.2]
- EA7-T6CL-R = 2.921 [74.2]
- EA7-S6M = 2.921 [74.2]
- EA7-T6CL = 2.921 [74.2]
- EA7-T8C = 3.157 [80.2]
- EA7-T10C = 3.106 [78.9]
- EA7-T12C = 3.102 [78.8]
- EA7-T15C = 3.075 [78.1]

Units: inches[mm]



Units: inches [mm]

**NOTE: Power Fault features help protect data being logged to CompactFlash during power failures. The C-more touch panel must have firmware version 1.21 Build 6.18E or higher for proper operation.**

**NOTE: The AC/DC Power Adapter is not recommended for use with the EA7-T15C touch panel when operating temperatures are expected to exceed 40 °C [104 °F].**

### AC/DC Power Adapter Specifications

Part Number	EA-AC	Static Electricity Discharge Resistance	Compliant with IEC61000-4-2, Contact: 4 kV, Air: 8 kV
<b>Input Voltage &amp; Frequency</b>	100-240 VAC; 50/60 Hertz	<b>Agency Approvals</b>	UL508, cUL, CE, EMC EN61132-2
<b>Voltage Range</b>	85-264 VAC w/ Under Voltage and Over Voltage Shutdown	<b>Environment</b>	No corrosive gas or conductive dust
<b>Permissible Momentary Power Failure</b>	Within 40 ms	<b>Grounding</b>	Ground resistance: less than 100 ohm
<b>Input Power</b>	68 VA or less	<b>Dimensions - inches [mm]</b>	3.00" (H) x 3.66" (W) x 1.42" (D) (76.2 mm x 93.0 mm x 36.1 mm) (Excluding DC Power Connector.)
<b>Operating Temperature Range</b>	0 °C to 50 °C [32 to 122 °F] (For the EA7-T15C touch panel, maximum temperature is 40 °C [104 °F] for the power adapter.)	<b>Weight</b>	6.13 oz. [175 g]
<b>Storage Temperature Range</b>	-20 to 60 °C [-4 to 140 °F]	<b>Cooling Method</b>	Natural convection when installed on vertically mounted touch panel.
<b>Operating &amp; Storage Humidity</b>	10-85% RH (non-condensing)	<b>Included Parts</b>	AC Power Connector, Data Sheet Insert
<b>Noise Immunity</b>	1000 VAC p-p (Pulse width 1 μs, rise time: 1 ns), with proper ground connection on AC terminal block.	<b>Removable AC Power Connector</b>	EA-AC-CON or DECA Switchlab MC101-508-03G Secure with (2) captive M2.5 screws, torque to 70 oz-in [0.5 Nm]
<b>Hi-Pot</b>	1000 VAC, 1 minute, with proper ground connection on AC terminal block.	<b>Output Voltage and Ripple</b>	21.6 - 26.4 VDC, Ripple < 100 mV p-p
<b>Insulation Resistance</b>	500 VDC, 10 M ohm or above, with proper ground connection on AC terminal block.	<b>Output Current</b>	Maximum 1.5 A
<b>Vibration</b>	Compliant with IEC61131-2	<b>Inrush Current</b>	For 100 VAC: 15 A, 3 ms or less For 240 VAC: 20 A, 3 ms or less
<b>Shock</b>	Pulse shape: Sine half wave, Peak acceleration: 147 m/s <sup>2</sup> (15 G), X, Y, Z: 3 directions, 2 times each	<b>Power Fail Detection Voltage</b>	58 VAC ±5%
<b>Thermal Protection</b>	140 °C [284 °F], with autorecovery	<b>Mounting to Touch Panel</b>	Secure with (2) spring loaded captive M3-20 screws, torque to 50 oz-in [0.35 Nm]
<b>Short Circuit Protection</b>	85 VAC: 2.6 A, 100 VAC: 2.8 A, 264 VAC: 3.9 A		

# C-more Accessories

## Expansion Assembly

The **C-more** Expansion Assembly allows installation of the optional CF Card Interface Module (shown below) for CF card use and also provides a slot for future option modules. Although the full featured models have a built-in CompactFlash slot, some users may require additional CF memory for data logging.

The optional Expansion Assembly can be installed on the rear of all but the 6-inch base models. This attachable assembly currently allows installation of an additional CompactFlash card with the use of the CF Card Interface Module. More options will be available in the future.

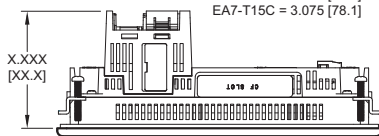
### Part No. EA-EXP-OPT



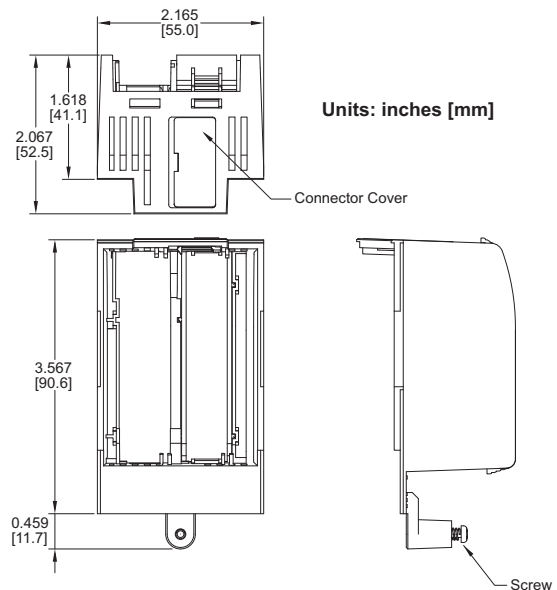
### Overall Panel Depth w/ EA-EXP-OPT Installed

EA7-S6M = 2.921 [74.2]  
 EA7-T6CL = 2.921 [74.2]  
 EA7-T8C = 3.157 [80.2]  
 EA7-T10C = 3.106 [78.9]  
 EA7-T12C = 3.102 [78.8]  
 EA7-T15C = 3.075 [78.1]

Units: inches[mm]



### Dimensions



Units: inches [mm]

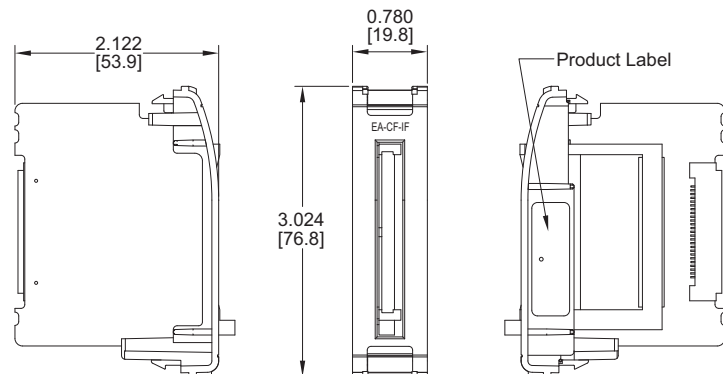
## CF Card Interface Module

The **C-more** CF Card Interface Module is used with the Expansion Assembly to allow use of standard CompactFlash cards, such as the CompactFlash Memory (EA-CF-CARD). The CF card can be used for data logging or as project backup.

### Part No. EA-CF-IF



### Dimensions



Units: inches [mm]

# C-more Accessories

## 512 MB CompactFlash Memory Card

EA-CF-CARD is a 512 MB high speed industrial grade CompactFlash memory card for non-volatile storage. Its 85 °C operating temperature makes it perfect for data logging in industrial applications (recommended for **C-more** touch panels). This is a standard "off the shelf" CompactFlash.

**Part No.  
EA-CF-CARD**



### Specifications/Features:

- CompactFlash™ Compatibility
- W/E Endurance 100,000 cycles
- Data transfer rate: 16 MB/second
- Operating Temp: -13 to 185°F ( -25 to 85°C )
- Operating Humidity 85% max, non-condensing
- Storage Temp: -13 to 194 °F ( -25 to 90°C )
- Storage Humidity 95% max, non-condensing

## USB Pen Drive

**Part No.  
SDCZ4-2048-A10**



The SanDisk Cruzer Micro is an extremely small 2GB USB Flash Drive (UFD) that connects to a USB port. Users can easily store their logging data, project data, key documents and images on a Cruzer Micro and transfer them to another computer with a USB port.

### Specifications/Features:

- Dimensions: 7.9 mm x 18.95 mm x 52.2 mm (H x W x L)
- Stylish, metal casing
- Hi-Speed USB 2.0 certified (backwards compatible with all USB 1.1 ports)
- Compatible with Windows 2000, XP, Vista and Mac OS 9.1.x+, OS X v10.1.2+
- Certified Windows XP, Vista and Mac OS X



\* For Windows only

# C-more Accessories

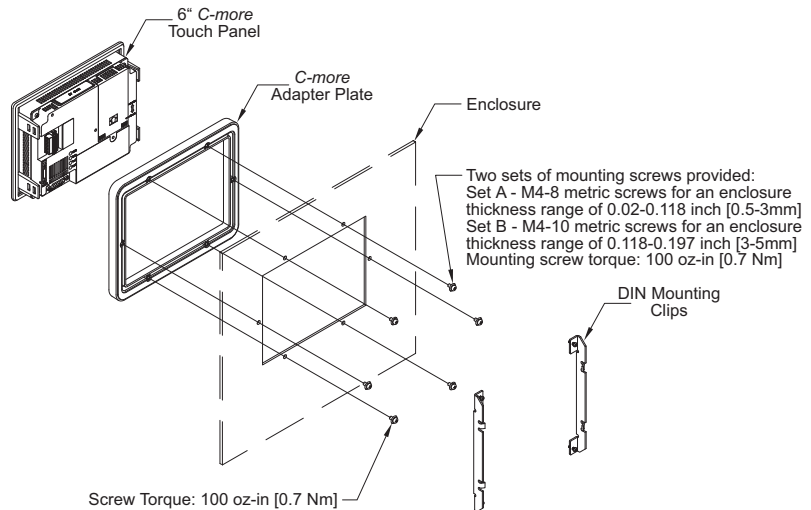
## 6" Adapter Plate

The adapter plate simplifies the retrofit of a new **C-more 6"** touch panel into an existing cabinet cutout for an EZTouch (units sold by AutomationDirect) 6" wide bezel touch panel, such as our part number EZ-S6C-K, EZ-S6C-F, EZ-S6M-R or EZ-S6M-F.

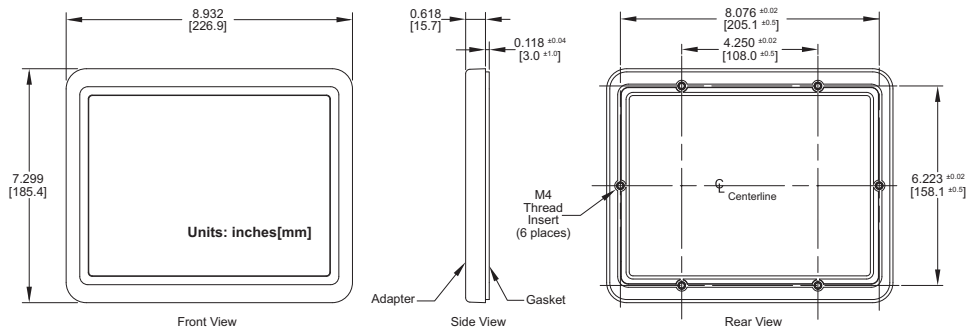
A NEMA 4/4X gasket is included. Please note that all sizes of the **C-more** touch panels have the same cutout as similarly sized EZTouch thin bezel (slim) touch panels, allowing quick replacement.

Part No. EA-6-ADPTR

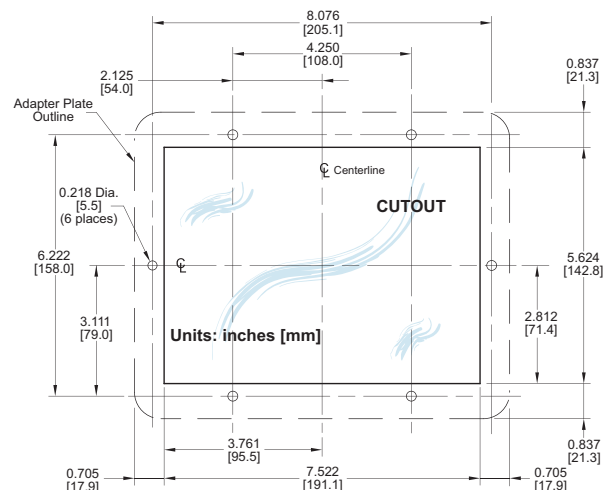
## Mounting Details



## Dimensions



## Cutout Dimensions



# C-more Accessories

## D-SUB 15-pin 90-degree Communication Port Adapter

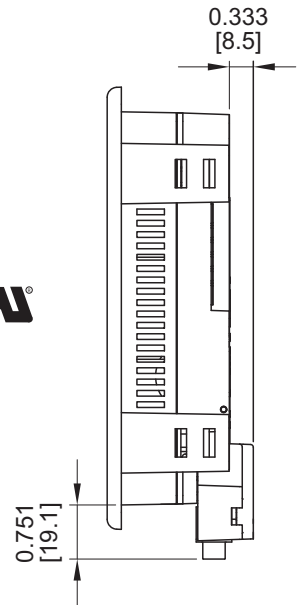
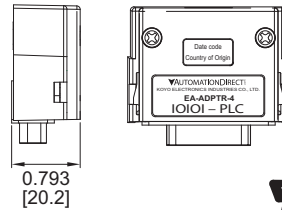
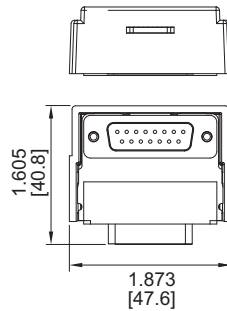
The EA-ADPTR-4 adapter plugs into the 15-pin serial port on the rear of the panel to allow a PLC communication cable to be plugged in at a 90 degree angle to reduce panel depth requirements. 15-pin straight through pin-out. UL Recognized.

**Part No.**  
**EA-ADPTR-4**



## Dimensions

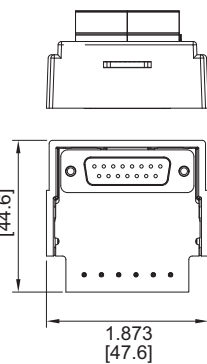
Units: inches [mm]



## D-SUB 15-pin to Terminal Block Adapter

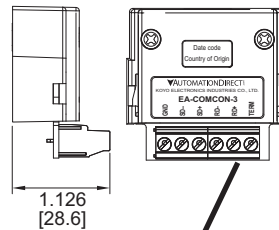
The EA-COMCON-3 adapter plugs into the 15-pin serial port on the rear of the panel to allow wire terminal connections for an RS-422/RS-485/DH-485 PLC communication cable. UL Recognized.

**Part No.**  
**EA-COMCON-3**

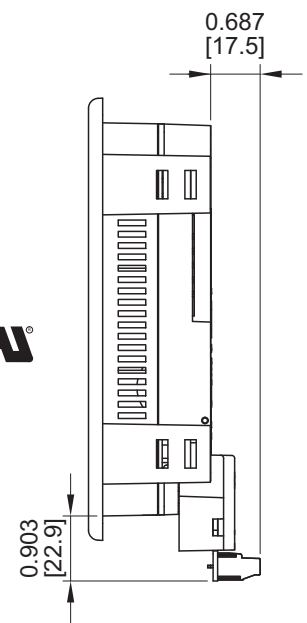
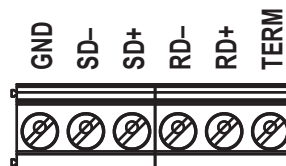


## Dimensions

Units: inches [mm]



**Terminals**



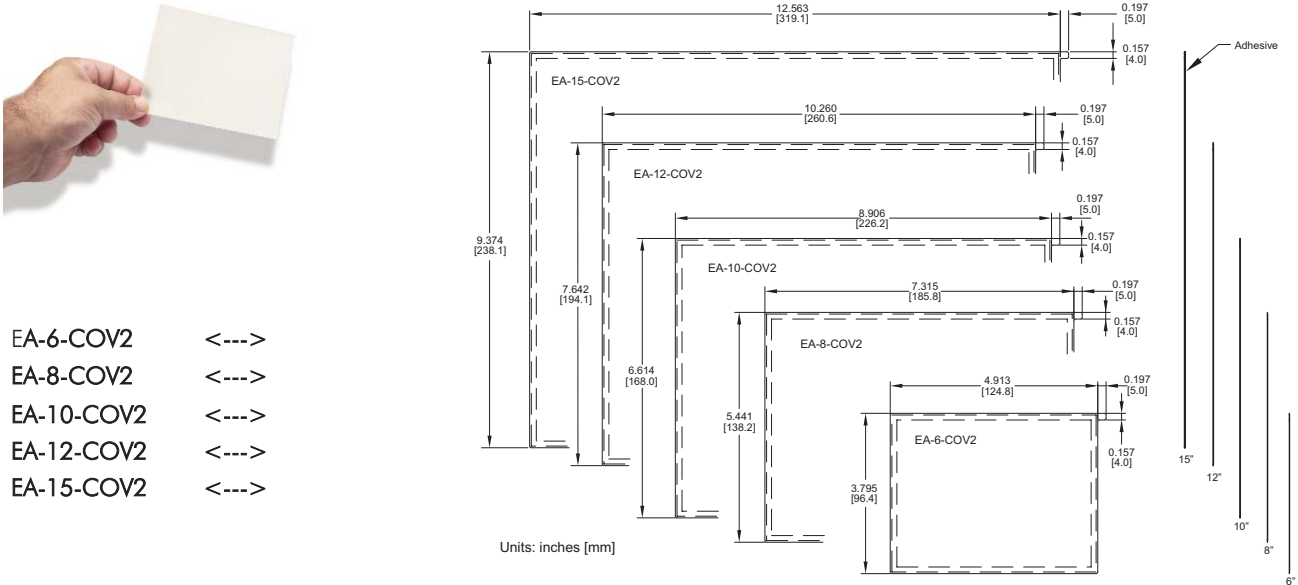
# C-more Accessories

## Non-glare Screen Covers (in packages of 3)

The non-glare screen covers are protective overlays used to protect the touch screen while helping to reduce the glare from external light sources.

Part Nos. EA-6-COV2, EA-8-COV2, EA-10-COV2, EA-12-COV2 and EA-15-COV2

### Dimensions



### Installation



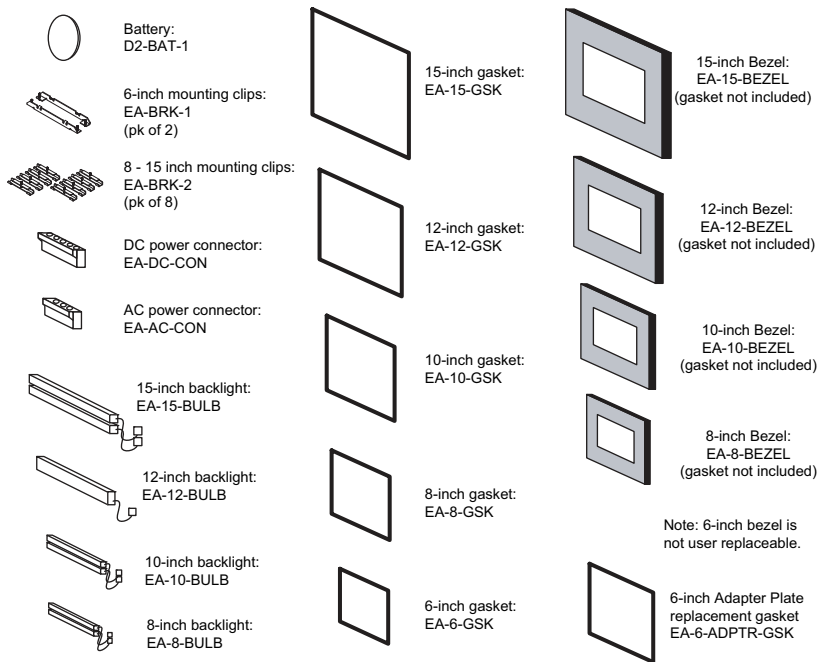
**NOTE:** The Protective Cover ships with a thin protective sheet on the face of the cover that needs to be carefully removed. If your panel is not clear, the protective sheet may not have been removed.

# C-more Replacement Parts

The optional replacement parts can be used to replace damaged, worn or lost **C-more** components.

Part Number	Description	Price
<b>D2-BAT-1</b>	Replacement Battery	<--->
<b>EA-BRK-1</b>	6" Panel Mounting Clip Replacements (2 per pk.)	<--->
<b>EA-BRK-2</b>	8"-15" Panel Mounting Clip Replacements (8 per pk.)	<--->
<b>EA-DC-CON</b>	DC Panel Power Connector Replacement	<--->
<b>EA-AC-CON</b>	AC Power Adapter Connector Replacement	<--->
<b>EA-15-BULB</b>	15" Panel Backlight Bulb Replacement	<--->
<b>EA-12-BULB</b>	12" Panel Backlight Bulb Replacement	<--->
<b>EA-10-BULB</b>	10" Panel Backlight Bulb Replacement	<--->
<b>EA-8-BULB</b>	8" Panel Backlight Bulb Replacement	<--->
<b>EA-15-GSK</b>	15" Panel Gasket Replacement	<--->
<b>EA-12-GSK</b>	12" Panel Gasket Replacement	<--->
<b>EA-10-GSK</b>	10" Panel Gasket Replacement	<--->
<b>EA-8-GSK</b>	8" Panel Gasket Replacement	<--->
<b>EA-6-GSK</b>	6" Panel Gasket Replacement	<--->
<b>EA-15-BEZEL</b>	15" Panel Bezel Replacement	<--->
<b>EA-12-BEZEL</b>	12" Panel Bezel Replacement	<--->
<b>EA-10-BEZEL</b>	10" Panel Bezel Replacement	<--->
<b>EA-8-BEZEL</b>	8" Panel Bezel Replacement	<--->
<b>EA-6-ADPTR-GSK</b>	6" Adapter Plate Gasket Replacement	<--->

## Replacement parts at a glance:



**PLEASE REFER TO THE INDIVIDUAL DATA SHEET INSERTS THAT ARE INCLUDED WITH EACH REPLACEMENT PART FOR ADDITIONAL DETAILS.**

### Replacement Battery Part No. D2-BAT-1



Backup Battery (supplied with new panels)

**C-more** panels use battery backed RAM to store retentive values for internal tags. This battery will last for up to two years, and is easy to replace. You can even set up an alarm condition, and let **C-more** remind you when the battery needs replacing. The **C-more** panels come with the D2-BAT-1 already installed.

NOTE: The D2-BAT-1 is the same battery used in our DL06, D2-250(-1), D2-260 and D3-350 PLC products.

### 6" Panel Mounting Clips Part No. EA-BRK-1



Spare panel mounting clips for 6-inch **C-more** touch panels. Package of 2 clips with 4 screws.

### 8"-15" Panel Mounting Clips Part No. EA-BRK-2



Spare panel mounting clips for the 8-inch through 15-inch **C-more** touch panels. Package of 8 clips with 8 screws.



**CAUTION - The battery used in this device may present a risk of fire or chemical burn if mistreated. Do not recharge, disassemble, heat above 100 °C (212 °F) or incinerate. Replace battery with AutomationDirect part number D2-BAT-1 or CR2354 only. Use of another battery may present a risk of fire or explosion. Dispose of used battery properly. Keep away from children.**

**Perchlorate Material, special disposal handling may apply.**



# C-more Replacement Parts

- Company Information
- Systems Overview
- Programmable Controllers
- Field I/O
- Software
- C-more & other HMI**
- Drives
- Soft Starters
- Motors & Gearbox
- Steppers/ Servos
- Motor Controls
- Proximity Sensors
- Photo Sensors
- Limit Switches
- Encoders
- Current Sensors
- Pressure Sensors
- Temperature Sensors
- Pushbuttons/ Lights
- Process
- Relays/ Timers
- Comm.
- Terminal Blocks & Wiring
- Power
- Circuit Protection
- Enclosures
- Tools
- Pneumatics
- Appendix
- Product Index
- Part # Index



MAINTENANCE AND ACCESSORY INSTRUCTION SHEETS CAN BE VIEWED AND DOWNLOADED ONLINE AT:  
[HTTP://WWW.AUTOMATIONDIRECT.COM/STATIC/MANUALS/EAUSERM/EAUSERM.HTML](http://www.automationdirect.com/STATIC/MANUALS/EAUSERM/EAUSERM.HTML)

## DC Power Connector Part No. EA-DC-CON



Replacement 5-terminal DC power connector for **C-more** touch panels.

## Part No. EA-8-BULB, EA-10-BULB, EA-12-BULB and EA-15-BULB



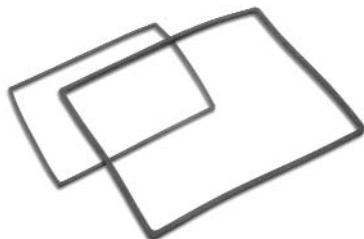
Backlight assembly, customer replaceable, for **C-more** 8", 10", 12" and 15" touch panels. The 8", 10" and 15" touch panels use two bulbs per panel and the 12" touch panels use one bulb per panel. The bulbs are packaged two per box for the 8", 10" and 15" touch panels and one per box for the 12" touch panels.

## AC Power Connector Part No. EA-AC-CON



Replacement 3-terminal AC power connector for **C-more** touch panel AC Power Adapters.

## Part No. EA-6-GSK, EA-8-GSK, EA-10-GSK, EA-12-GSK and EA-15-GSK



Replacement NEMA 4/4X touch panel gaskets for **C-more** 6", 8", 10", 12" and 15" touch panels.

## Part No. EA-8-BEZEL, EA-10-BEZEL, EA-12-BEZEL and EA-15-BEZEL



NEMA 4/4X bezel, customer replaceable, for **C-more** 8", 10", 12" and 15" touch panels. Gasket not included.

## Part No. EA-6-ADPTR-GSK



6-inch replacement NEMA 4/4X gasket for the **C-more** touch panel adapter plate.