

C-more 6" Micro-Graphic Panel Accessories

20-Button Keypad Bezel, Landscape Orientation

The 20-button keypad bezel is designed to be used with all **C-more 6"** Micro-Graphic panels. The keypad includes four directional arrow cursor buttons, a full numeric keypad, and one each of an ESCAPE, MENU, CLEAR and ENTER button. The keypad is intended to be used with the numeric entry object (Style 3) to allow changing of a value, and can also be used to

navigate and select screen objects. The numeric buttons can be used to enter a new value, along with the ENTER and CLEAR buttons. The 6" panels mount directly into the bezel; no panel configuration is required.

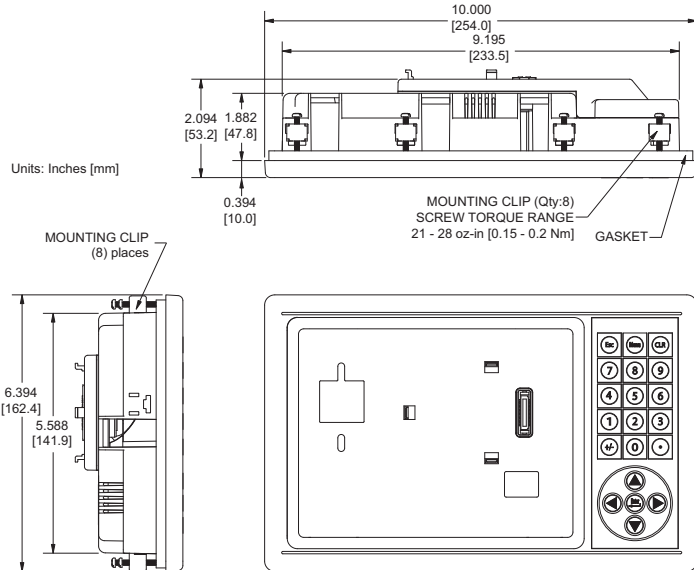
Part No. EA-MG6-BZ2



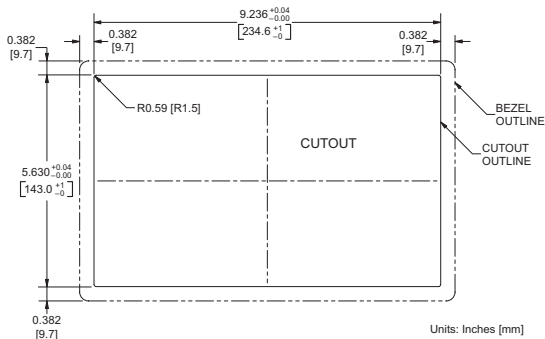
Four directional cursor buttons, numeric buttons and ESC, MENU, CLEAR and ENTER buttons.



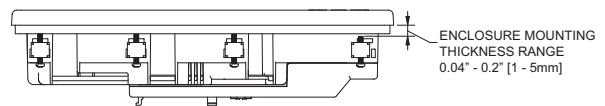
Dimensions



Panel Cutout



Panel Thickness



20-Button Keypad Bezel Specifications

Part Number	EA-MG6-BZ2
General	
• Micro-Graphic Panels Supported	EA-S6ML, EA-S6MLW, EA1-T6CL
• Connection	Connects with expansion connector on the rear of the C-more 6" Micro-Graphic panel.
• Power Consumption	None
• Keypad Button Life	Minimum of 500,000 cycles
• Enclosure Mounting	(8) mounting clips, EA-MG-BZ2-BRK, included.
	Note: The C-more 6" Micro-Graphic panel is installed into the keypad bezel using the (4) mounting clips, EA-MG-BZ2-BRK, that are supplied with the panel.
Physical	
• Dimensions	10.000" (W) x 6.394" (H) x 2.488" (D) [254.0 mm x 162.4 mm x 63.2 mm]
• Weight	26.1 oz. [740 g]
Environmental:	See Micro-Graphic panel specifications at the beginning of this catalog section

C-more Micro-Graphic Panel Accessories

21-Button Keypad Bezel, Portrait Orientation

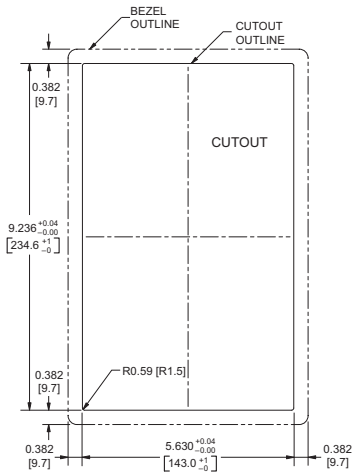
The 21-button keypad bezel is designed to be used with all **C-more** 6" Micro-Graphic panels. The keypad includes four directional arrow cursor buttons, a full numeric keypad, and one each of an ESCAPE, MENU, CLEAR and two ENTER buttons. The keypad is intended to be used with the numeric entry object (Style 3) to allow changing of a value, and can also be used to

navigate & select screen objects. The numeric buttons can be used to enter a new value, along with the ENTER and CLEAR buttons. The 6" panels mount directly into the bezel; no panel configuration is required.

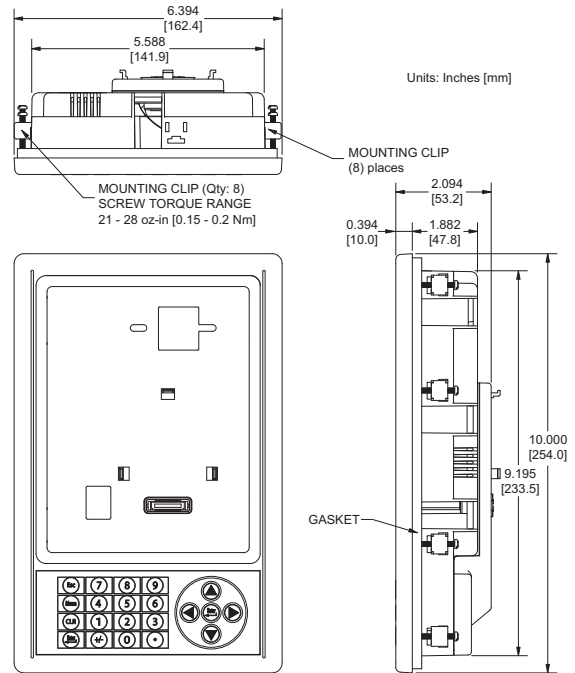
Part No. EA-MG6-BZ2P



Panel Cutout

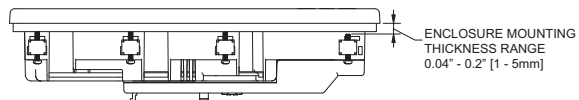


Dimensions



Four directional cursor buttons, numeric buttons, and ESC, MENU, CLEAR and ENTER buttons.

Panel Thickness



21-Button Keypad Bezel Specifications

Part Number	EA-MG6-BZ2P
General	
• Micro-Graphic Panels Supported	EA-S6ML, EA-S6MLW, EA1-T6CL
• Connection	Connects with expansion connector on the rear of the C-more 6" Micro-Graphic panel.
• Power Consumption	None
• Keypad Button Life	Minimum of 500,000 cycles
• Enclosure Mounting	(8) mounting clips, EA-MG-BZ2-BRK, included.
	Note: The C-more 6" Micro-Graphic panel is installed into the keypad bezel using the (4) mounting clips, EA-MG-BZ2-BRK, that are supplied with the panel.
Physical	
• Dimensions	6.394" (W) x 10.000" (H) x 2.488" (D) [162.4 mm x 254.0 mm x 63.2 mm]
• Weight	26.1 oz. [740 g]
Environmental	See Micro-Graphic panel specifications at the beginning of this catalog section

C-more 6" Micro-Graphic Panel Accessories

D-SUB 15-pin 90-degree Communication Port Adapter

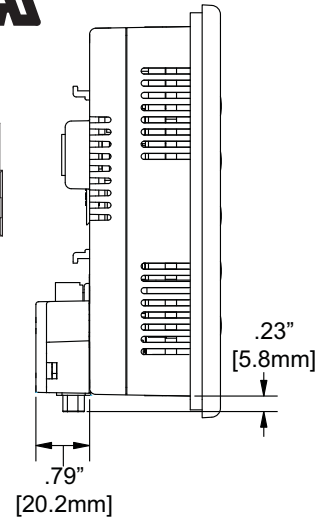
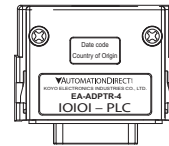
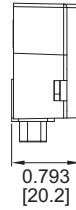
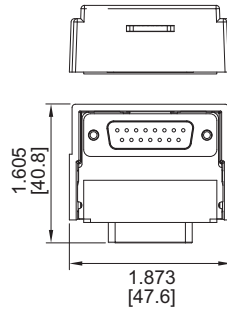
The EA-ADPTR-4 adapter plugs into the 15-pin serial port on the rear of a 6" panel to allow a controller communication cable to be plugged in at a 90 degree angle to reduce panel depth requirements. UL Recognized.

Part No.
EA-ADPTR-4



Dimensions

Units: inches [mm]



D-SUB 15-pin to Terminal Block Adapter

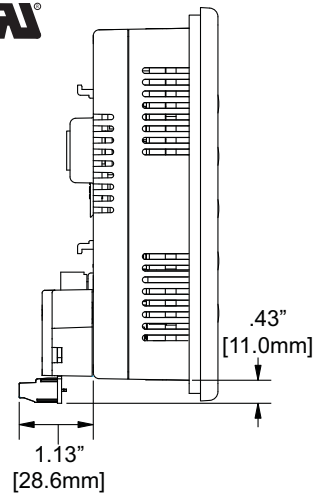
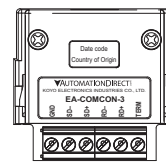
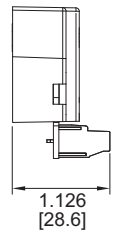
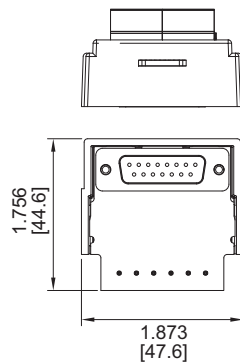
The EA-COMCON-3 adapter plugs into the 15-pin serial port on the rear of a 6" panel to allow wire terminal connections for an RS-422/RS-485/DH-485 PLC communication cable. UL Recognized.

Part No.
EA-COMCON-3

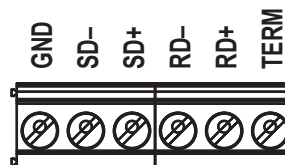


Dimensions

Units: inches [mm]



Terminals



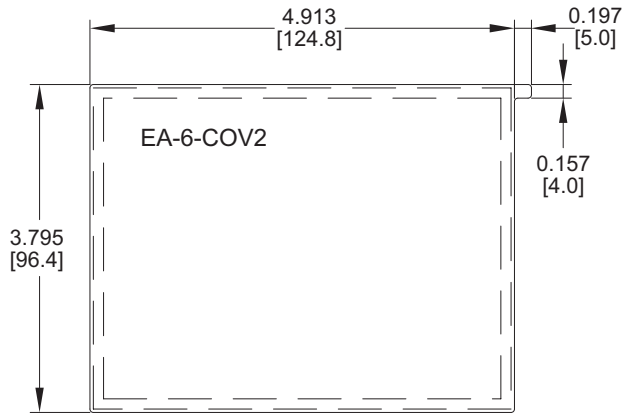
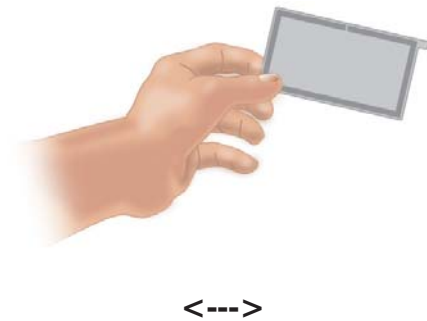
C-more 6" Micro-Graphic Panel Accessories

Clear Screen Overlay

Optional clear screen overlay used to protect C-more 6" Micro-Graphic displays from minor scratches and wear. Package contains 3 clear screen overlays.

Part No. EA-6-COV2

Dimensions



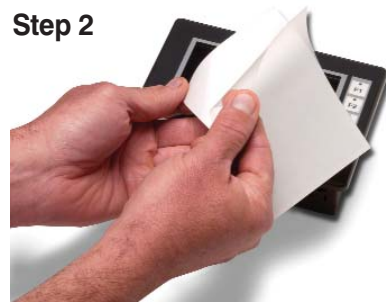
Clear Screen Overlay Installation

Step 1



Remove the overlay from the package

Step 2



Remove the paper backing from the overlay

Step 3



Align the overlay with the screen and press the adhesive firmly into place

Step 4



Remove the protective film*



*Note: The overlay cover ships with a thin protective film on the face that should be carefully removed after installation.

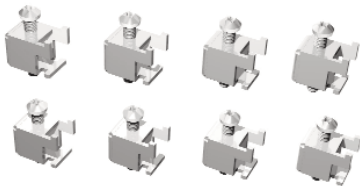
C-more 6" Micro-Graphic Replacement Parts

The optional replacement parts can be used to replace damaged, worn or lost C-more 6" Micro-Graphic panel components.

Replacement parts at a glance:

Part Number	Description	Price
EA-MG-BZ2-BRK	Replacement mounting clip for C-more Micro-Graphic panel and keypad bezels. Also used to mount the C-more 3" Micro-Graphic bezel EA-MG-BZ2. (pk of 8)	<--->
EA-MG-DC-CON	Replacement adapter DC power connector (pk of 5)	<--->
EA-MG6-S6ML-GSK	Replacement mounting gasket for C-more 6" Micro-Graphic panels	<--->
EA-MG6-BZ2-GSK	Replacement mounting gasket for C-more 6" Micro-Graphic keypad bezels EA-MG6-BZ2 and EA-MG6-BZ2P	<--->
EA-MG6-S6ML-FKL	Replacement function key label insert for C-more 6" Micro-Graphic panels (pk of 5; 3 blank, 1 F1-F5 for landscape, 1 F1-F5 for portrait)	<--->

Panel Mounting Clips
Part No. EA-MG-BZ2-BRK



(pk of 8)

DC Power Connector
Part No. EA-MG-DC-CON



(pk of 5)

Function Keys Label Inserts
Part No. EA-MG6-S6ML-FKL



(pk of 5; 3 blank, 1 F1-F5 for landscape, 1 F1-F5 for portrait)

Panel Gasket
Part No. EA-MG6-S6ML-GSK



Keypad Bezel Gasket
Part No. EA-MG6-BZ2-GSK

