

C-more 3" Micro-Graphic Communication Cables and Cable Kits

| Cable Description | Cable Part Number | Price |
|---|------------------------|-------|
| Cables for direct connect to panel's serial Port1 (Panel powered from PLC's serial port.) | | |
| AutomationDirect CLICK, DirectLOGIC PLC RJ-12 port, DL05, DL06, DL105, DL205, D3-350, D4-450 & H2-WinPLC (RS-232C). | DV-1000CBL | <---> |
| DirectLOGIC DL405 PLC 15-pin D-sub port, DL405 (RS-232C). | D4-1000CBL | <---> |
| DirectLOGIC (VGA Style) 15-pin port, DL06, D2-250 (250-1), D2-260 (RS-232C). Use with DV-1000CBL cable. | FA-15HD | <---> |
| DirectLOGIC PLC 15-pin D-sub port, DL405 (RS-232C). Use with DV-1000CBL cable. | FA-CABKIT | <---> |
| Cables for direct connect to panel's serial port 1 (Panel powered from either optional DC Power Adapter, EA-MG-P1, or Serial Port w/ DC Power Adapter, EA-MG-SP1.) | | |
| DirectLOGIC PLC RJ-11 port, D3-340 (RS-232C). | OP-3CBL-1 | <---> |
| Cables used with optional serial Port2 (Panel powered from optional Serial Port w/ DC Power Adapter, EA-MG-SP1.) | | |
| AutomationDirect CLICK, DirectLOGIC PLC RJ-12 port, DL05, DL06, DL105, DL205, D3-350, D4-450 & H2-WinPLC (RS-232C). | EA-2CBL | <---> |
| DirectLOGIC (VGA Style) 15-pin port, DL06, D2-250 (250-1), D2-260 (RS-232C). | EA-2CBL-1 | <---> |
| DirectLOGIC PLC RJ-11 port, D3-340 (RS-232C). | EA-3CBL | <---> |
| DirectLOGIC DL405 PLC 15-pin D-sub port, DL405 (RS-232C). | EA-4CBL-1 | <---> |
| DirectLOGIC PLC 25-pin D-sub port, DL405, D3-350, DL305 DCU and all DCMs (RS-232C). | EA-4CBL-2 | <---> |
| Allen-Bradley MicroLogix 1000, 1100, 1200 & 1500 (RS-232C) | EA-MLOGIX-CBL | <---> |
| Allen-Bradley SLC 5-03/04/05, ControlLogix, CompactLogix, FlexLogix DF1 port (RS-232C) | EA-SLC-232-CBL | <---> |
| Allen-Bradley PLC-5 DF1 port (RS-232C) | EA-PLC5-232-CBL | <---> |
| Allen-Bradley MicroLogix, SLC-5-01/02/03, PLC5 DH485 port (RS-232C) | EA-DH485-CBL | <---> |
| GE 90/30 and 90/70, Micro 90, VersaMax Micro (Port 2) 15-pin D-sub port (RS-422A) | EA-90-30-CBL | <---> |
| MITSUBISHI FX Series 25-pin port (RS-422A) | EA-MITSU-CBL | <---> |
| MITSUBISHI FX Series 8-pin mini-DIN (RS-422A) | EA-MITSU-CBL-1 | <---> |
| OMRON Host Link C200 Adapter, C500 (RS-232C) | EA-OMRON-CBL | <---> |



Part No. DV-1000CBL



Part No. D4-1000CBL



Part No. OP-3CBL-1



Part No. FA-15HD



Part No. FA-CABKIT



Part No. EA-2CBL



Part No. EA-2CBL-1



Part No. EA-3CBL



Part No. EA-4CBL-1



Part No. EA-4CBL-2



Part No. EA-MLOGIX-CBL



Part No. EA-SLC-232-CBL



Part No. EA-PLC5-232-CBL



Part No. EA-DH485-CBL



Part No. EA-90-30-CBL



Part No. EA-MITSU-CBL



Part No. EA-MITSU-CBL-1



Part No. EA-OMRON-CBL

C-more 3" Micro-Graphic PLC Connections

Cabling requirements

When using the built-in RJ12 serial port on the **C-more 3"** Micro-Graphic panel to connect with the CLICK, DL05, DL06, DL105, DL205, D3-350 and DL405 CPUs, your cabling choices are fairly simple.

- DV-1000CBL — connects to CLICK, DL05, DL06, DL105, DL205, D3-350 and D4-450 phone jack.
- D4-1000CBL — connects to all DL405 CPU 15-pin ports.

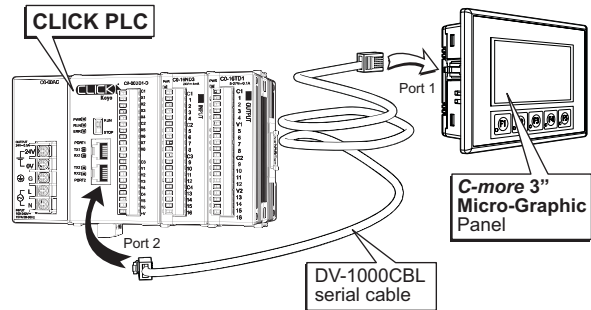
A maximum cable length of **10 feet** between the **C-more** Micro-Graphic panel and the PLC is recommended when powering the panel from the PLC.

The Serial Port with DC Power Adapter module, EA-MG-SP1, can be used if the application requires the use of RS-422 or RS-485. The serial port on the adapter, designated as port 2, can also be wired for RS-232. The use of the adapter permits greater cable length distances. See the Communication Protocols & Cabling Charts in this catalog section for details on the selection of various controllers, protocols, and connectivity.

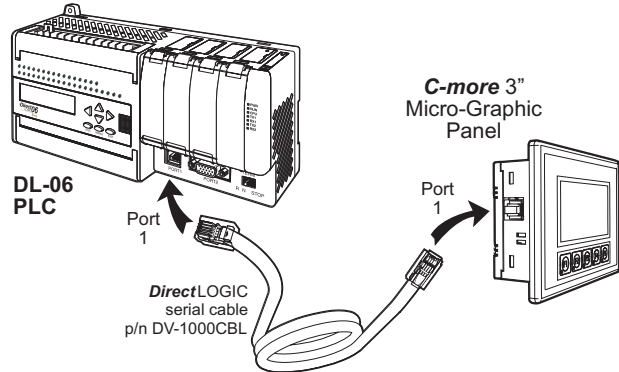
Supported controller protocols

- AutomationDirect CLICK (Modbus)
- **Direct**LOGIC K-sequence
- **Direct**NET
- Modbus (Koyo Addressing)
- Modbus RTU
- Entivity Modbus RTU
- Allen-Bradley DF1 Half Duplex
- Allen-Bradley DF1 Full Duplex
- Allen-Bradley PLC5 DF1
- Allen-Bradley DH485
- GE Fanuc SNPX (90/30, 90/70, Micro 90, VersaMax Micro)
- Omron Host Link (C200 Adapter, C500)
- Omron FINS Serial (CJ1, CS1)
- Mitsubishi Melsec FX
- Mitsubishi Q and QnA
- Siemens PPI

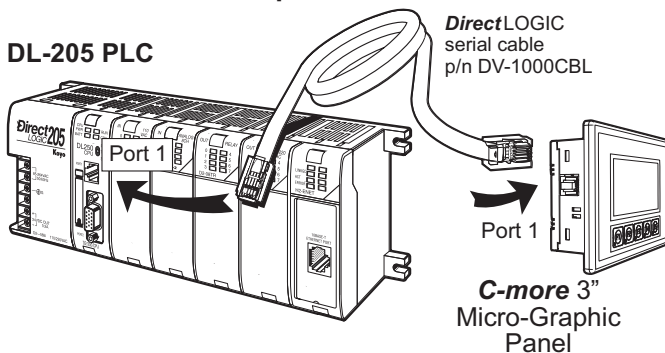
C-more 3" Micro-Graphic Port 1 to CLICK PLC Port 2



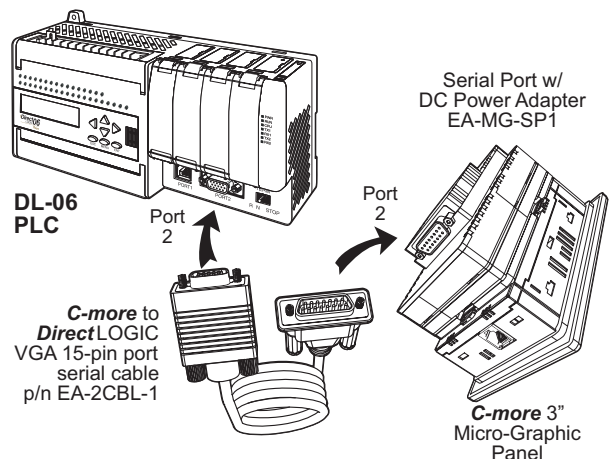
C-more 3" Micro-Graphic Port 1 to DL06 PLC Port 1



C-more 3" Micro-Graphic Port 1 to DL205 PLC Port 1



C-more 3" Micro-Graphic Port 2 to DL06 PLC Port 2



C-more 3" Micro-Graphic Communication Protocols & Cabling Chart

Controller Compatibility & Connection Chart

| PLC | | | C-more Micro-Graphic Panel | | | | | | | | |
|--|------------------------|-----------------------------------|---|-----------------------------------|--|-----------------------------------|---|-----------------------------------|---|-------------------------------------|-------------------------------------|
| Family | CPU | Port & Type | Panel to PLC Cabling Components Required for Specific Port and Protocol being used. | | | | | | | | |
| | | | PLC Port Powered Powered with 5 VDC from the connected PLC's comm. port. | | DC Power Adapter Powered from an external 24 VDC source using the DC Power Adapter, EA-MG-P1. | | Serial Port with DC Power Adapter Powered from an external 24 VDC source using the Serial Port with DC Power Adapter, EA-MG-SP1. | | | | |
| | | | Using panel's RJ12 port 1 | | Using panel's RJ12 port 1 | | Using panel's RJ12 port 1 | | Using adapter's serial Port 2 15-pin D-sub - female | | |
| | | | Protocol(s) Supported | Components & Network Type | Protocol(s) Supported | Components & Network Type | Protocol(s) Supported | Components & Network Type | Protocol(s) Supported | Components & Network Type | |
| CLICK | all versions | Port 1 RJ12 - 6 pin | Automation Direct Modbus (CLICK) | DV-1000CBL RS-232 | Automation Direct Modbus (CLICK) | DV-1000CBL RS-232 | Automation Direct Modbus (CLICK) | DV-1000CBL RS-232 | Automation Direct Modbus (CLICK) | EA-2CBL RS-232 | |
| DirectLOGIC DL05 (see D0-DCM under DL06) | all versions | Port 1 RJ12 - 6 pin | K-sequence, DirectNET, Modbus RTU | DV-1000CBL RS-232 | K-sequence, DirectNET, Modbus RTU | DV-1000CBL RS-232 | K-sequence, DirectNET, Modbus RTU | DV-1000CBL RS-232 | K-sequence, DirectNET, Modbus RTU | EA-2CBL RS-232 | |
| | | Port 2 RJ12 - 6 pin | | | | | | | | | |
| DirectLOGIC DL06 | all versions | Port 1 RJ12 - 6 pin | K-sequence, DirectNET, Modbus RTU | DV-1000CBL RS-232 | K-sequence, DirectNET, Modbus RTU | DV-1000CBL RS-232 | K-sequence, DirectNET, Modbus RTU | DV-1000CBL RS-232 | K-sequence, DirectNET, Modbus RTU | EA-2CBL RS-232 | |
| | | Port 2 DB15HD (female) | | DV-1000CBL + FA-15HD RS-232 | | DV-1000CBL + FA-15HD RS-232 | | DV-1000CBL + FA-15HD RS-232 | | EA-2CBL-1 RS-232 See Note RS-422 | |
| | D0-DCM | Port 1 RJ12 - 6 pin | K-sequence, DirectNET, Modbus RTU | DV-1000CBL RS-232 | K-sequence, DirectNET, Modbus RTU | DV-1000CBL RS-232 | K-sequence, DirectNET, Modbus RTU | DV-1000CBL RS-232 | K-sequence, DirectNET, Modbus RTU | EA-2CBL RS-232 | |
| | | Port 2 DB15HD (female) | | DV-1000CBL + FA-15HD RS-232 | | DV-1000CBL + FA-15HD RS-232 | | DV-1000CBL + FA-15HD RS-232 | | EA-2CBL-1 RS-232 See Note RS-422 | |
| | | D0-DCM | Port 1 RJ12 - 6 pin | K-sequence, DirectNET, Modbus RTU | DV-1000CBL RS-232 | K-sequence, DirectNET, Modbus RTU | DV-1000CBL RS-232 | K-sequence, DirectNET, Modbus RTU | DV-1000CBL RS-232 | K-sequence, DirectNET, Modbus RTU | EA-2CBL RS-232 |
| | | | Port 2 DB15HD (female) | | DV-1000CBL + FA-15HD RS-232 | | DV-1000CBL + FA-15HD RS-232 | | DV-1000CBL + FA-15HD RS-232 | | EA-2CBL-1 RS-232 See Note RS-422 |
| D0-DCM | Port 1 RJ12 - 6 pin | K-sequence, DirectNET, Modbus RTU | DV-1000CBL RS-232 | K-sequence, DirectNET, Modbus RTU | DV-1000CBL RS-232 | K-sequence, DirectNET, Modbus RTU | DV-1000CBL RS-232 | K-sequence, DirectNET, Modbus RTU | EA-2CBL RS-232 | | |
| | Port 2 DB15HD (female) | | DV-1000CBL + FA-15HD RS-232 | | DV-1000CBL + FA-15HD RS-232 | | DV-1000CBL + FA-15HD RS-232 | | EA-2CBL-1 RS-232 See Note RS-422 | | |
| DirectLOGIC DL105 | all versions | Port 1 RJ12 - 6 pin | K-sequence | DV-1000CBL RS-232 | K-sequence | DV-1000CBL RS-232 | K-sequence | DV-1000CBL RS-232 | K-sequence | EA-2CBL RS-232 | |
| DirectLOGIC DL205 | D2-230 | Port 1 RJ12 - 6 pin | K-sequence | DV-1000CBL RS-232 | K-sequence | DV-1000CBL RS-232 | K-sequence | DV-1000CBL RS-232 | K-sequence | EA-2CBL RS-232 | |
| | | Port 2 RJ12 - 6 pin | K-sequence, DirectNET | DV-1000CBL RS-232 | K-sequence, DirectNET | DV-1000CBL RS-232 | K-sequence, DirectNET | DV-1000CBL RS-232 | K-sequence, DirectNET | EA-2CBL RS-232 | |
| | D2-240 | Port 1 RJ12 - 6 pin | K-sequence, DirectNET, Modbus RTU | DV-1000CBL RS-232 | K-sequence, DirectNET, Modbus RTU | DV-1000CBL RS-232 | K-sequence, DirectNET, Modbus RTU | DV-1000CBL RS-232 | K-sequence, DirectNET, Modbus RTU | EA-2CBL RS-232 | |
| | | Port 2 RJ12 - 6 pin | | DV-1000CBL + FA-15HD RS-232 | | DV-1000CBL + FA-15HD RS-232 | | DV-1000CBL + FA-15HD RS-232 | | EA-2CBL-1 RS-232 See Note RS-422 | |
| | D2-250-1 | Port 1 RJ12 - 6 pin | K-sequence, DirectNET, Modbus RTU | DV-1000CBL RS-232 | K-sequence, DirectNET, Modbus RTU | DV-1000CBL RS-232 | K-sequence, DirectNET, Modbus RTU | DV-1000CBL RS-232 | K-sequence, DirectNET, Modbus RTU | EA-2CBL RS-232 | |
| | | Port 2 DB15HD (female) | | DV-1000CBL + FA-15HD RS-232 | | DV-1000CBL + FA-15HD RS-232 | | DV-1000CBL + FA-15HD RS-232 | | EA-2CBL-1 RS-232 See Note RS-422 | |
| | D2-260 | Port 1 RJ12 - 6 pin | K-sequence, DirectNET, Modbus RTU | DV-1000CBL RS-232 | K-sequence, DirectNET, Modbus RTU | DV-1000CBL RS-232 | K-sequence, DirectNET, Modbus RTU | DV-1000CBL RS-232 | K-sequence, DirectNET, Modbus RTU | EA-2CBL RS-232 | |
| | | Port 2 DB15HD (female) | | DV-1000CBL + FA-15HD RS-232 | | DV-1000CBL + FA-15HD RS-232 | | DV-1000CBL + FA-15HD RS-232 | | EA-2CBL-1 RS-232 See Note RS-422 | |
| | D2-DCM | Port 1 DB 25 pin (female) | K-sequence, DirectNET, Modbus RTU | See Note RS-232 | K-sequence, DirectNET, Modbus RTU | See Note RS-232 | K-sequence, DirectNET, Modbus RTU | See Note RS-232 | K-sequence, DirectNET, Modbus RTU | EA-4CBL-2 RS-232 See Note RS-422 | |
| | | Port 2 DB 25 pin (female) | | See Note RS-232 | | See Note RS-232 | | See Note RS-232 | | See Note RS-422 | |
| WINPLC | | Port 1 RJ12 - 6 pin | Modbus RTU | DV-1000CBL RS-232 | Modbus RTU | DV-1000CBL RS-232 | Modbus RTU | DV-1000CBL RS-232 | Modbus RTU | EA-2CBL RS-232 | |

Note: See the C-more Micro-Graphic Hardware User Manual, Chapter 6: PLC Communications, for wiring diagrams that the user can use to construct their own cables. Available for download at www.automationdirect.com. PLC Compatibility & Connection Chart continued on next page.

C-more 3" Micro-Graphic Communication Protocols & Cabling Chart (cont'd)

| Controller Compatibility & Connection Chart | | | | | | | | | | |
|---|--------------------|-------------------------------|---|---|--|---|---|---|---|-------------------------------------|
| PLC | | | C-more Micro-Graphic Panel | | | | | | | |
| Family | CPU | Port & Type | Panel to PLC Cabling Components Required for Specific Port and Protocol being used. | | | | | | | |
| | | | PLC Port Powered Powered with 5 VDC from the connected PLC's comm. port. | | DC Power Adapter Powered from an external 24 VDC source using the DC Power Adapter, EA-MG-P1. | | Serial Port with DC Power Adapter Powered from an external 24 VDC source using the Serial Port with DC Power Adapter, EA-MG-SP1. | | | |
| | | | Using panel's RJ12 port 1 | | Using panel's RJ12 port 1 | | Using panel's RJ12 port 1 | | Using adapter's serial Port 2 15-pin D-sub - female | |
| | | | Protocol(s) Supported | Components & Network Type | Protocol(s) Supported | Components & Network Type | Protocol(s) Supported | Components & Network Type | Protocol(s) Supported | Components & Network Type |
| DirectLOGIC DL305 | D3-330 or D3-340 | D3-232-DCU DB 25 pin (female) | Not Possible | | DirectNET | See Note RS-232 | DirectNET | EA-4CBL-2 RS-232 | DirectNET | EA-4CBL-2 RS-232 |
| | | D3-422-DCU DB 25 pin (female) | Not Possible | | Not Possible | | Not Possible | | DirectNET | See Note RS-422 |
| | D3-340 | Port 1 RJ11 - 4 pin | Not Possible | | DirectNET | OP-3CBL-1 RS-232 | DirectNET | OP-3CBL-1 RS-232 | DirectNET | EA-3CBL RS-232 |
| | | Port 2 RJ11 - 4 pin | Not Possible | | DirectNET, Modbus RTU | | DirectNET, Modbus RTU | | DirectNET, Modbus RTU | |
| | D3-350 | Port 1 RJ12 - 6 pin | K-sequence, DirectNET | DV-1000CBL RS-232 | K-sequence, DirectNET | DV-1000CBL RS-232 | K-sequence, DirectNET | DV-1000CBL RS-232 | K-sequence, DirectNET | EA-2CBL RS-232 |
| | | Port 2 DB 25 pin (female) | Not Possible | | K-sequence, DirectNET, Modbus RTU | See Note RS-232 | K-sequence, DirectNET, Modbus RTU | See Note RS-232 | K-sequence, DirectNET, Modbus RTU | EA-4CBL-2 RS-232 See Note RS-422 |
| | D3-DCM D3-350 only | Port 1 DB 25 pin (female) | K-sequence, DirectNET, Modbus RTU | See Note RS-232 | K-sequence, DirectNET, Modbus RTU | See Note RS-232 | K-sequence, DirectNET, Modbus RTU | See Note RS-232 | DirectNET | EA-4CBL-2 RS-232 See Note RS-422 |
| | | | | | | | | | | |
| DirectLOGIC DL405 | D4-430 | Port 0 DB 15 pin (female) | K-sequence | D4-1000CBL or DV-1000CBL & FA-CABKIT RS-232 | K-sequence | D4-1000CBL or DV-1000CBL & FA-CABKIT RS-232 | K-sequence | D4-1000CBL or DV-1000CBL & FA-CABKIT RS-232 | K-sequence | EA-4CBL-1 RS-232 |
| | | Port 1 DB 25 pin (female) | Not Possible | | K-sequence, DirectNET | DV-1000CBL & FA-CABKIT RS-232 | K-sequence, DirectNET | DV-1000CBL & FA-CABKIT RS-232 | K-sequence, DirectNET | EA-4CBL-2 RS-232 See Note RS-422 |
| | D4-440 | Port 0 DB 15 pin (female) | K-sequence | D4-1000CBL or DV-1000CBL & FA-CABKIT RS-232 | K-sequence | D4-1000CBL or DV-1000CBL & FA-CABKIT RS-232 | K-sequence | D4-1000CBL or DV-1000CBL & FA-CABKIT RS-232 | K-sequence | EA-4CBL-1 RS-232 |
| | | Port 1 DB 25 pin (female) | Not Possible | | K-sequence, DirectNET | DV-1000CBL & FA-CABKIT RS-232 | K-sequence, DirectNET | DV-1000CBL & FA-CABKIT RS-232 | K-sequence, DirectNET | EA-4CBL-2 RS-232 See Note RS-422 |
| | D4-450 | Port 0 DB 15 pin (female) | K-sequence | D4-1000CBL or DV-1000CBL & FA-CABKIT RS-232 | K-sequence | D4-1000CBL or DV-1000CBL & FA-CABKIT RS-232 | K-sequence | D4-1000CBL or DV-1000CBL & FA-CABKIT RS-232 | K-sequence | EA-4CBL-1 RS-232 |
| | | Port 1 DB 25 pin (female) | Not Possible | | K-sequence, DirectNET, Modbus RTU | DV-1000CBL & FA-CABKIT RS-232 | K-sequence, DirectNET, Modbus RTU | DV-1000CBL & FA-CABKIT RS-232 | K-sequence, DirectNET, Modbus RTU | EA-4CBL-2 RS-232 See Note RS-422 |
| | | Port 3 DB 25 pin (female) | Not Possible | | Not Possible | | Not Possible | | K-sequence, DirectNET, Modbus RTU | See Note RS-422 |
| | | Port 2 RJ12 - 6 pin | K-sequence, DirectNET | DV-1000CBL RS-232 | K-sequence, DirectNET | DV-1000CBL RS-232 | K-sequence, DirectNET | DV-1000CBL RS-232 | K-sequence, DirectNET | EA-2CBL RS-232 |
| | D4-DCM | Port 1 DB 25 pin (female) | K-sequence, DirectNET, Modbus RTU | See Note RS-232 | K-sequence, DirectNET, Modbus RTU | See Note RS-232 | K-sequence, DirectNET, Modbus RTU | See Note RS-232 | DirectNET | EA-4CBL-2 RS-232 See Note RS-422 |

Note: See the C-more Micro-Graphic Hardware User Manual, Chapter 6: PLC Communications, for wiring diagrams that the user can use to construct their own cables. Available for download at www.automationdirect.com. PLC Compatibility & Connection Chart continued on next page.

C-more 3" Micro-Graphic Communication Protocols & Cabling Chart (cont'd)

| Controller Compatibility & Connection Chart | | | | | | | | | | | | | | | | | | | | | | | | | | | | | | | | | | | | | | | |
|---|--|-------------------------|---|---------------------------|--|---------------------------|---|---------------------------|---|---------------------------|--------------|--------------|--------------|--------------|-----------------|-----------------------|--------------|--------------|--------------|--------------|-----------------|-----------------------|--------------|--------------|--------------|--------------|--------------|-----------------|------------------------|--------------|--------------|--------------|--------------|--------------|--------------|---------------------|---------------------|-----------------|---------------------|
| PLC | | | C-more Micro-Graphic Panel | | | | | | | | | | | | | | | | | | | | | | | | | | | | | | | | | | | | |
| Family | CPU | Port & Type | Panel to PLC Cabling Components Required for Specific Port and Protocol being used. | | | | | | | | | | | | | | | | | | | | | | | | | | | | | | | | | | | | |
| | | | PLC Port Powered Powered with 5 VDC from the connected PLC's comm. port. | | DC Power Adapter Powered from an external 24 VDC source using the DC Power Adapter, EA-MG-P1. | | Serial Port with DC Power Adapter Powered from an external 24 VDC source using the Serial Port with DC Power Adapter, EA-MG-SP1. | | | | | | | | | | | | | | | | | | | | | | | | | | | | | | | | |
| | | | Using panel's RJ12 port 1 | | Using panel's RJ12 port 1 | | Using panel's RJ12 port 1 | | Using adapter's serial Port 2 15-pin D-sub - female | | | | | | | | | | | | | | | | | | | | | | | | | | | | | | |
| | | | Protocol(s) Supported | Components & Network Type | Protocol(s) Supported | Components & Network Type | Protocol(s) Supported | Components & Network Type | Protocol(s) Supported | Components & Network Type | | | | | | | | | | | | | | | | | | | | | | | | | | | | | |
| Allen-Bradley MicroLogix | 1000, 1100, 1200, 1500 | 8-pin mini-din port | Not Possible | Not Possible | Not Possible | Not Possible | Not Possible | Not Possible | DF1 Full Duplex | EA-MLOGIX-CBL RS-232 | | | | | | | | | | | | | | | | | | | | | | | | | | | | | |
| | | RJ45 8-pin phone plug | | | | | | | DH485/AIC/AIC+ | EA-DH485-CBL RS-232 | | | | | | | | | | | | | | | | | | | | | | | | | | | | | |
| Allen-Bradley SLC500 | 5/03, 5/04, 5/05 | 9-pin D-sub port | | | | | | | Not Possible | Not Possible | Not Possible | Not Possible | Not Possible | Not Possible | DF1 Full Duplex | EA-SLC-232-CBL RS-232 | | | | | | | | | | | | | | | | | | | | | | | |
| | | RJ45 8-pin phone plug | | | | | | | | | | | | | DH485/AIC/AIC+ | EA-DH485-CBL RS-232 | | | | | | | | | | | | | | | | | | | | | | | |
| Allen-Bradley ControlLogix | all | 9-pin D-sub port | | | | | | | | | | | | | Not Possible | Not Possible | Not Possible | Not Possible | Not Possible | Not Possible | DF1 Full Duplex | EA-SLC-232-CBL RS-232 | | | | | | | | | | | | | | | | | |
| Allen-Bradley CompactLogix | all | 9-pin D-sub port | | | | | | | | | | | | | | | | | | | DF1 Full Duplex | EA-SLC-232-CBL RS-232 | | | | | | | | | | | | | | | | | |
| Allen-Bradley FlexLogix | all | 9-pin D-sub port | | | | | | | | | | | | | | | | | | | DF1 Full Duplex | EA-SLC-232-CBL RS-232 | | | | | | | | | | | | | | | | | |
| Allen-Bradley PLC5 | all | 25-pin D-sub port | | | | | | | | | | | | | | | | | | | Not Possible | Not Possible | Not Possible | Not Possible | Not Possible | Not Possible | Not Possible | DF1 Full Duplex | EA-PLC5-232-CBL RS-232 | | | | | | | | | | |
| | | RJ45 8-pin phone plug | | | | | | | | | | | | | | | | | | | | | | | | | | DH485/AIC/AIC+ | EA-DH485-CBL RS-232 | | | | | | | | | | |
| GE | 90/30, 90/70 | 15-pin D-sub port | | | | | | | | | | | | | | | | | | | | | | | | | | Not Possible | Not Possible | Not Possible | Not Possible | Not Possible | Not Possible | Not Possible | SNPX | EA-90-30-CBL RS-422 | | | |
| | | RJ45 Port 1 | See Note RS-232 | | | | | | | | | | | | | | | | | | | | | | | | | | | | | | | | | | | | |
| Mitsubishi | Melsec FX Series | 25-pin D-sub port | Not Possible | Not Possible | Not Possible | Not Possible | Not Possible | Not Possible | | | | | | | | | | | | | | | | | | | | | | | | | | | Not Possible | CPU Direct | EA-MITSU-CBL RS-422 | | |
| | | 8-pin mini-din port | | | | | | | EA-MITSU-CBL-1 RS-422 | | | | | | | | | | | | | | | | | | | | | | | | | | | | | | |
| Omron | C200 (Adapter), C500 | 25-pin D-sub port | | | | | | | Not Possible | Not Possible | Not Possible | Not Possible | Not Possible | Not Possible | | | | | | | | | | | | | | | | | | | | | | Not Possible | Q / QnA | See Note RS-232 | |
| | | 9-pin D-sub port | | | | | | | | | | | | | See Note RS-232 | | | | | | | | | | | | | | | | | | | | | | | | |
| Modicon | 984 CPU, Quantum 113 CPU, AEG Modicon Micro Series 110 CPU | varies | | | | | | | | | | | | | Not Possible | Not Possible | Not Possible | Not Possible | Not Possible | Not Possible | | | | | | | | | | | | | | | | | Not Possible | Host Link | EA-OMRON-CBL RS-232 |
| | | 9-pin D-sub port | | | | | | | | | | | | | | | | | | | | | | | | | | | | | | | | | | | | | FINS |
| Siemens | S7-200 CPU | 9-pin D-sub port 0 or 1 | | | | | | | | | | | | | | | | | | | Not Possible | Not Possible | Not Possible | Not Possible | Not Possible | Not Possible | Not Possible | | | | | | | | | | | Modbus RTU | See Note RS-232 |
| | | 9-pin D-sub port 0 or 1 | | | | | | | | | | | | | | | | | | | | | | | | | | | | | | | | | | | | | PPI |

Note: See the C-more Micro-Graphic Hardware User Manual, Chapter 6: PLC Communications, for wiring diagrams that the user can use to construct their own cables. Available for download at www.automationdirect.com. Available cables with descriptions shown on the next page.

C-more 3" Micro-Graphic Power Connection Wiring

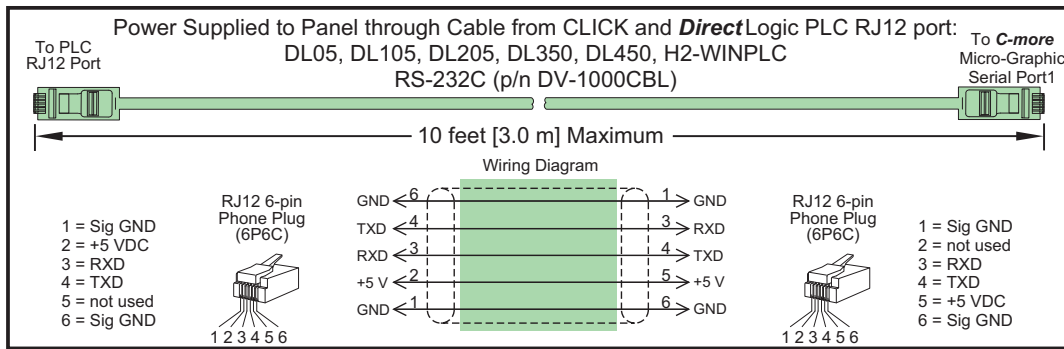
Providing power to the touch panel

- The **C-more** 3" Micro-Graphic panel is powered during programming from the PC through the USB to RS-232 Programming Cable Assembly, EA-MG-PGM-CBL.
- During operation, the **C-more** Micro-Graphic panel is powered from an **AutomationDirect** CLICK or **DirectLOGIC** PLC RJ12 serial communications port by using the DV-1000CBL communications cable for CLICK and most **DirectLOGIC** PLCs.

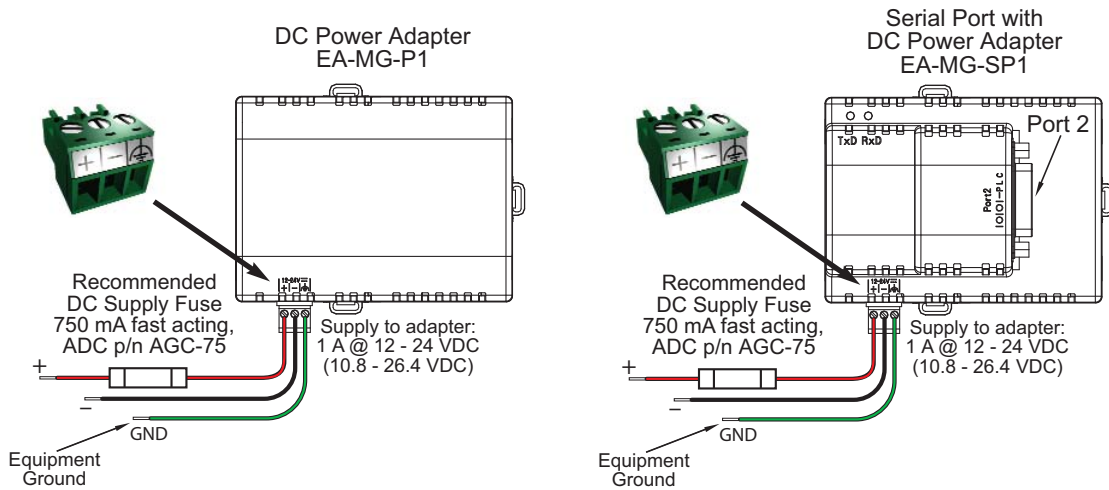
See the PLC Communication Protocol & Cabling Chart for 3" panels that follows for other choices.

- Or install either the DC Power Adapter, EA-MG-P1, or the Serial Port with DC Power Adapter, EA-MG-SP1, to the rear of the panel and supply the adapter from a 12-24 VDC power source.

3" Panel powered from AutomationDirect CLICK or DirectLOGIC PLC via communications cable



3" panel powered from a DC power adapter – wiring diagram



NOTE: Recommended DC power supply to power either DC Power Adapter, AutomationDirect Part No. PSP24-024S or PSP24-024C.

Maximum communication cable length when 3" panel is powered from an optional DC Power Adapter

