

# DL405 Programming Tools and Cables

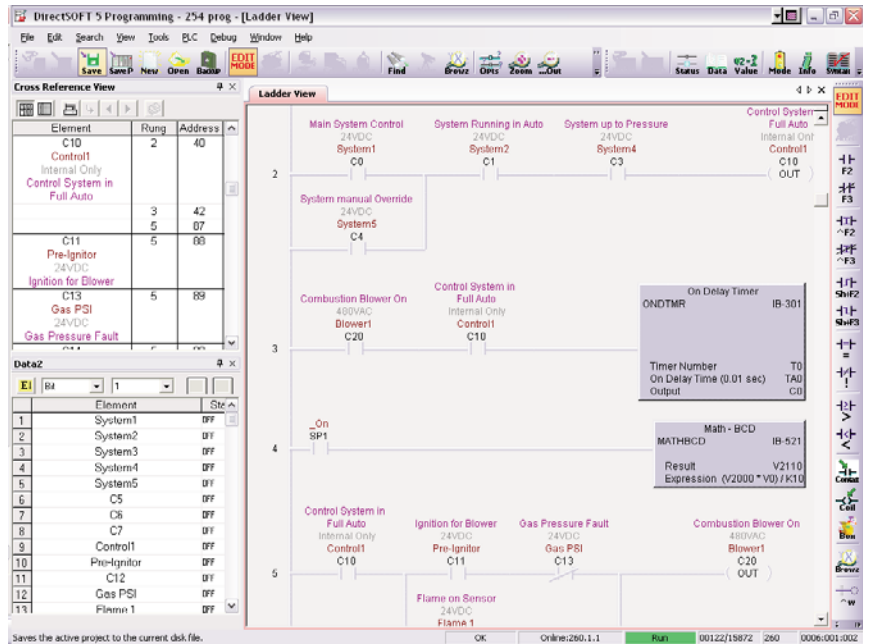
## Select a programming device

There are two tools for programming the DL405 CPUs: *DirectSOFT* PC-based programming software and the D4-HPP-1 handheld programmer.

### DirectSOFT programming software

Our powerful Windows-based programming packages make it easy for you to program and monitor your DL405 PLC system. The version of the software that supports the DL405 CPUs is described in the table below. See the Software section in the desk reference for detailed information on *DirectSOFT*.

DirectSoft Part Number	Price	Description
<b>PC-DSOFT5</b>	<--->	Programs all PLC families DL05/06/105/205/305/405

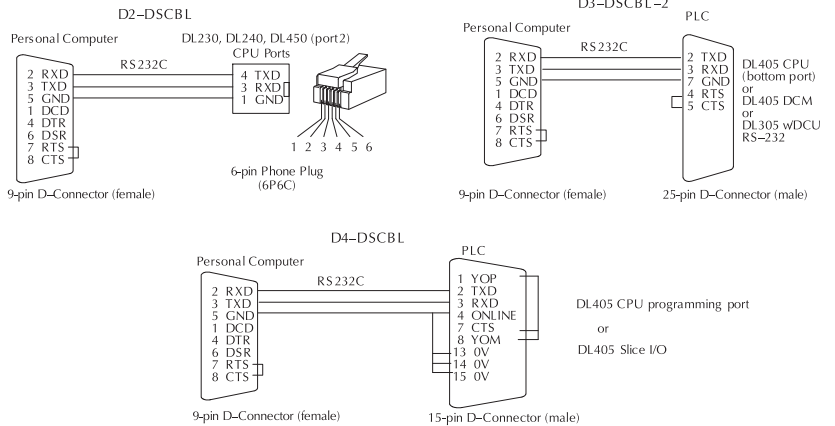


## DL405 programming cables

Choose the proper cable to connect the DL405 CPU to your PC running *DirectSOFT*.

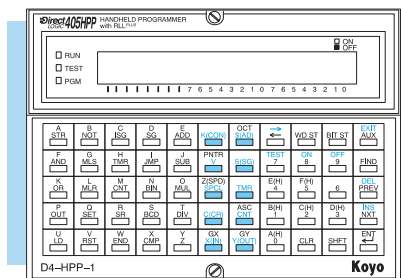
CPU	Price	Port	Cable	Price
<b>D4-430/ D4-440</b>	<--->	Top port (15 pin)	<b>D4-DSCBL</b>	<--->
	<--->	Lower port (25 pin)	<b>D3-DSCBL-2</b>	<--->
<b>D4-450</b>	<--->	Top port (15 pin)	<b>D4-DSCBL</b>	<--->
	<--->	Lower port (25pin)	<b>D3-DSCBL-2</b>	<--->
	<--->	Phone jack (RJ12)	<b>D2-DSCBL</b>	<--->

Pin labeling conforms to IBM DTE and DCE standards



## Handheld programmer

The D4-HPP-1 handheld programmer connects to the 15-pin port on any of the DL405 CPUs. A memory cartridge is located on the side of the handheld programmer. This slot allows you to copy memory cartridges (including UV PROMs) and transfer data/programs between the CPU and a memory cartridge.



There are three optional connecting cables available for use with the D4-HPP-1 programmer:

- D4-HPCBL-1: 3m cable
- D4-HPCBL-2: 1.5m cable
- D4-CASCBL: cassette cable