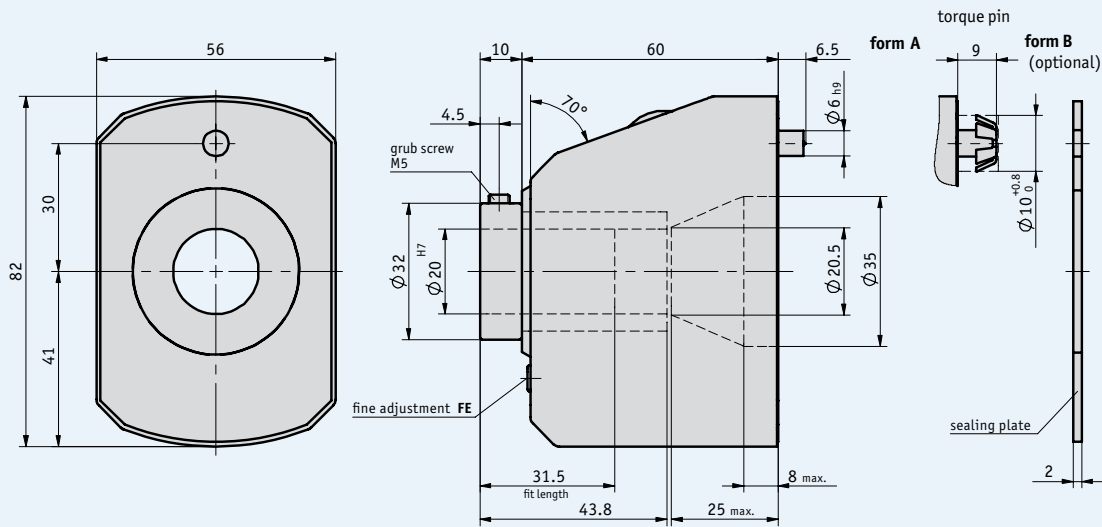


### Profile

- Robust design in a metal housing
- Hollow shaft, max. Ø 20 mm
- Counter with 5 decades and fine reading
- Display can be designed for “mm” or “inch”
- Attenuated counter system
- Fine setting for correction of dimensions
- Reversible counting direction



### Mechanical data

Feature	Technical data	Additional information
Counter	5 decades, fine reading	
Digit height	approx. 7 mm	
Housing	zinc die-cast	
Weight	0.5 kg	
Counting direction	adjustable	
Display adjustment	via adjusting screw	
Ambient temperature	max. +80 °C, design/mounting position	

### Max. speed

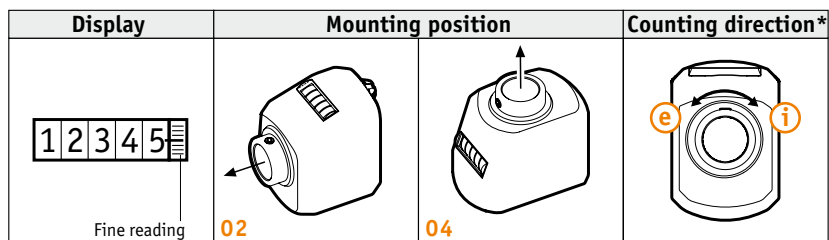
Indication after 1 <sup>st</sup> revolution	max. speed (rpm)
00010	500 (1500)
00015	500 (1000)
00020	500 (750)
00025	500 (600)
00030	500
00040	375
00050	300
00060	250
00080	180
00100	150

$$\text{Formula for max. speed} = \frac{15\,000}{\text{Indication after 1}^{\text{st}} \text{ revolution}}$$

**!** Speeds >500 rpm must only be run for short periods.

### Order

#### Design



Note: Characters highlighted in orange are order features

#### Order table

Feature	Order data	Specification	Additional information
Design/mounting position	... A	02, 04	see the icons illustrating the mounting positions
Indication after 1 <sup>st</sup> revolution	... B	10, 15, 20, 25, 30, 31/5, 40, 50, 60, 80, 100 others on request	/5 = arithmetical value not displayed
Decimal place	0	0 = 00000	
	1	1 = 0000.0	
	2	2 = 000.00	
	3	3 = 00.000	
	4	4 = 0.0000	
Counting direction = ascending values	i	clockwise	
	e	counter-clockwise	
	e/i	customer-adjustable	by opening the housing, see technical details
Hollow shaft/diameter (mm)	...	20, 19.05, 19	
	...	RH6, RH8, RH10, RH12, RH14	reducing bush
	...	RH16, RH17.5, RH18	reducing bush
Housing color	0	orange RAL 2004	
	S	black RAL 9005	
Fine adjustment	FE	with fine adjustment	
	OFE	without fine adjustment	
Slip clutch	RK	with slip clutch	
	ORK	without slip clutch	
Labyrinth seal	OLD	without labyrinth seal	
	LD	with labyrinth seal	

#### Order code

DA05/1 -   -   -   -   -   -   -   -   -   -   -  

A      B      C      D      E      F      G      H      A      I

**Scope of delivery:** DA05/1, User information

**Accessories:**  
Reducing bushes

Page 108

**Additional information:**  
General information and areas of application

Page 8 cont.