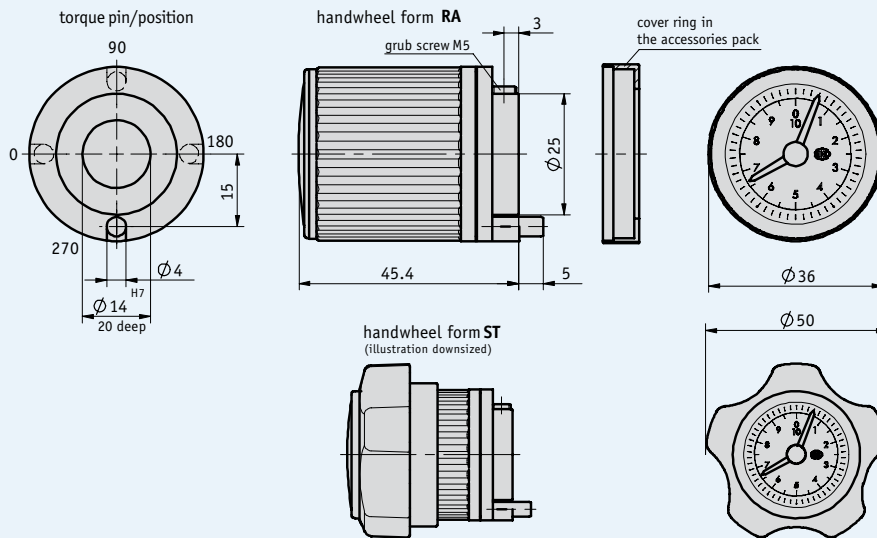


### Profile

- Control knob with integrated position indicator
- Shaft accommodation: max.  $\varnothing$  14 mm
- Front analog display
- Various gear ratios
- Special scales, also for non-linear settings
- Star wheel as an option



### Mechanical data

Feature	Technical data	Additional information
Ambient temperature	max. 80 °C	
Weight	0.07 kg	
Housing	plastic	

### Order

#### Order table

Feature	Order text	Additional information
Gear ratio	... <b>A</b> 2, 3, 6, 10, 12, 15, 18, 20, 24, 30, 36, 48	others on request
Sense of rotation = ascending values	<b>i</b> <b>B</b> clockwise	
	<b>e</b> <b>B</b> counter-clockwise	
Pointer	<b>1</b> <b>C</b> red gear ratio	
	<b>2</b> <b>C</b> red gear ratio + black 1:1	
Scale	<b>N..</b> <b>D</b> normal scale	related to gear ratio
	<b>VK..</b> <b>D</b> special scale	custom-designed
Scale multi-colored	<b>C1</b> <b>E</b> 1-color	
	<b>C2</b> <b>E</b> 2-color	
	<b>C3</b> <b>E</b> 3-color	
Hollow shaft/diameter (mm)	<b>14</b> <b>F</b> Ø 14 mm	
	... <b>F</b> <b>RH8, RH10, RH12</b>	reducing bush
	... <b>F</b> others on request	
Torque support/position	<b>270</b> <b>G</b> see the drawing	
	<b>0</b> <b>G</b> see the drawing	
	<b>90</b> <b>G</b> see the drawing	
	<b>180</b> <b>G</b> see the drawing	
Handwheel design	<b>RA</b> <b>H</b> knurled handle	
	<b>ST</b> <b>H</b> star wheel	
Handwheel color	<b>FR</b> <b>I</b> blazing red RAL 3000	
	<b>S</b> <b>I</b> black RAL 9005	
Sealing ring	<b>0</b> <b>K</b> without sealing ring	
	<b>M</b> <b>K</b> sealing ring provided with the accessories pack	

#### Order code

DK03 -  -  -  -  -  -  -  -  -  -

**Scope of delivery:** DK03

**Accessories:**  
Reducing bushes

Page 108

**Additional information:**  
General information and areas of application

Page 46 cont.