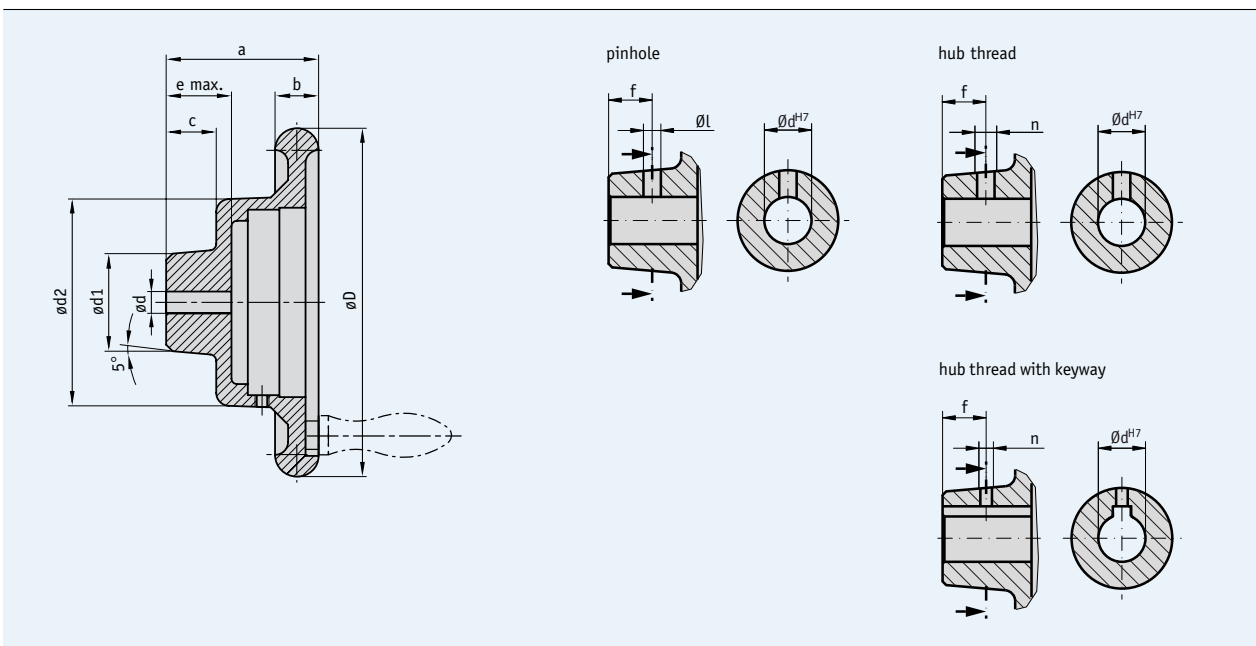


Profile

- Robust handwheel made of aluminum casting
- Rounded design with dirt corners minimized
- Various sizes
- Plastic-coated or bright-finished surface
- Various hub versions
- Turning handle as an option (see accessories)



1.4

Mechanical data

■ Dimensions

| type | ØD | Ødv | Ødx | Ød1 | Ød2 | a | b | c | e | GfG | suitable for | weight | material |
|--------|-----|-----|-----|-----|-----|----|------|----|----|-----|---------------|--------|----------|
| HS 8 | 80 | 5.8 | 16 | 26 | 60 | 55 | 15 | 18 | 20 | M6 | S50/1 | 0.2 kg | aluminum |
| HS 10 | 100 | 5.8 | 16 | 30 | 60 | 55 | 16 | 17 | 21 | M6 | S50/1 | 0.4 kg | aluminum |
| HS 12 | 125 | 6.8 | 25 | 40 | 95 | 70 | 16.5 | 23 | 30 | M6 | S80/1; SZ80/1 | 0.5 kg | aluminum |
| HS 14 | 140 | 6.8 | 20 | 32 | 95 | 70 | 18 | 23 | 29 | M8 | S80/1; SZ80/1 | 0.6 kg | aluminum |
| HS 16 | 160 | 7.8 | 30 | 45 | 95 | 70 | 20 | 23 | 30 | M8 | S80/1; SZ80/1 | 0.7 kg | aluminum |
| HS 18 | 180 | 7.8 | 30 | 45 | 95 | 75 | 22 | 28 | 34 | M10 | S80/1; SZ80/1 | 0.8 kg | aluminum |
| HSL 20 | 200 | 7.8 | 35 | 55 | 134 | 75 | 22 | 28 | 34 | M10 | S120/1 | 0.9 kg | aluminum |

dv = d predrilled; dx = d max.; GfG = thread for handle

■ Special versions

| Handwheel type | | HS 8 / HS 10 | | | | | |
|-----------------------------|--------------------|--------------|--------|--------|---------|---------|--------|
| Bore dH7 | | 6 ... 8 | 9, 10 | 11, 12 | 13, 14 | 15 | 16 |
| Groove width for keyway JS9 | | | 3 | 4 | 5 | 5*) | 5*) |
| Pinhole | | 3.8/12 | 3.8/12 | 3.8/12 | 4.8/12 | 4.8/12 | 4.8/12 |
| Hub thread | without keyway JS9 | M4/12 | M4/12 | M4/12 | M6/12 | M6/12 | M6/12 |
| | with keyway JS9 | | M3/12 | M3/12 | M4/12*) | M4/12*) | |

*) not for HS 8

| Handwheel type | | HS 12 / HS 14 | | | | | | | |
|-----------------------------|--------------------|---------------|--------|--------|-----------|-----------|-----------|-----------|--------------|
| Bore dH7 | | 7, 8 | 9, 10 | 11, 12 | 13 ... 17 | 18 ... 20 | 21**) | 22**) | 23 ... 25**) |
| Groove width for keyway JS9 | | | 3 | 4 | 5 | 6**) | 6**) | 6**) | |
| Pinhole | | 3.8/12 | 3.8/12 | 3.8/12 | 4.8/12 | 4.8/12 | 4.8/12**) | 4.8/12**) | 4.8/12**) |
| Hub thread | without keyway JS9 | M4/12 | M4/12 | M4/12 | M6/12 | M6/12 | M6/12**) | M6/12**) | M6/12**) |
| | with keyway JS9 | | M3/12 | M3/12 | M4/12 | M5/12**) | M5/12**) | | |

***) not for HS14

| Handwheel type | | HS 16 / HS 18 | | | | | | | |
|-----------------------------|--------------------|---------------|--------|--------|-----------|-----------|-----------|--------|-----------|
| Bore dH7 | | 8 | 9, 10 | 11, 12 | 13 ... 17 | 18 ... 22 | 23 ... 25 | 26, 27 | 28 ... 30 |
| Groove width for keyway JS9 | | | 3 | 4 | 5 | 6 | 8 | 8 | |
| Pinhole | | 3.8/12 | 3.8/12 | 3.8/12 | 4.8/12 | 4.8/12 | 4.8/12 | 5.8/12 | 5.8/12 |
| Hub thread | without keyway JS9 | M4/12 | M4/12 | M4/12 | M6/12 | M6/12 | M6/12 | M8/12 | M8/12 |
| | with keyway JS9 | | M3/12 | M3/12 | M4/12 | M5/12 | | | |

| Handwheel type | | HSL 20 | | | | | | | | |
|-----------------------------|--------------------|--------|--------|--------|-----------|-----------|-----------|--------|-----------|-----------|
| Bore dH7 | | 8 | 9, 10 | 11, 12 | 13 ... 17 | 18 ... 22 | 23 ... 25 | 26, 27 | 28 ... 30 | 31 ... 35 |
| Groove width for keyway JS9 | | | 3 | 4 | 5 | 6 | 8 | 8 | 8 | 10 |
| Pinhole | | 3.8/12 | 3.8/12 | 3.8/12 | 4.8/12 | 4.8/12 | 4.8/12 | 5.8/12 | 5.8/12 | 5.8/12 |
| Hub thread | without keyway JS9 | M4/12 | M4/12 | M4/12 | M6/12 | M6/12 | M6/12 | M8/12 | M8/12 | M8/12 |
| | with keyway JS9 | | M3/12 | M3/12 | M4/12 | M5/12 | M6/12 | M6/12 | M6/12 | |

Order

Order table

| Feature | Order data | Technical data | Additional information |
|--------------------------------|------------|--|---|
| Handwheel type | HS... | 8, 10, 12, 14, 16, 18 | see "Dimensions" |
| | HSL... | 20 | |
| Surface | B | unvarnished | |
| | C | plastic-coated, hammer finish paint light-gray | |
| | | others on request | |
| Handle bore | OG | without handle bore | see "Dimensions", value GfG |
| | ... | M6 ... M10 with handle bore or handle thread | |
| Bore Ød | d vorg. | predrilled | see "Dimensions", value Ødv |
| | ... | 6 ... 35 d max. in mm steps (H7) | see "Dimensions" |
| Keyway | OP | without keyway | |
| | JS9 | light seat | |
| | P9 | tight seat | |
| Pinhole (only without keyway) | OS | without pinhole | see table "Special versions", depending on handwheel type, only if hub thread "ONG" |
| | ... | diameter "Ø"/measure "F" (e.g., 3.8/12) | |
| | | others on request | |
| Hub thread | ONG | without hub thread | see table "Special versions", depending on handwheel type, only if pinhole "OS" |
| | ... | thread "n"/measure "f" (e.g., M4/12) | |
| | | others on request | |
| Hub turned down | OAN | without turned-down hub | |
| | | others on request | |
| Position indicator mounted (*) | PM | position indicator mounted | |
| | PS | separate position indicator | |

* separate order of a position indicator required (see pages 74-82)

Order code



Scope of delivery: HS.../HSL...

Accessories:

Handles
End plate

Page 102
Page 103

Additional information:

General information and areas of application

Page 68 cont.