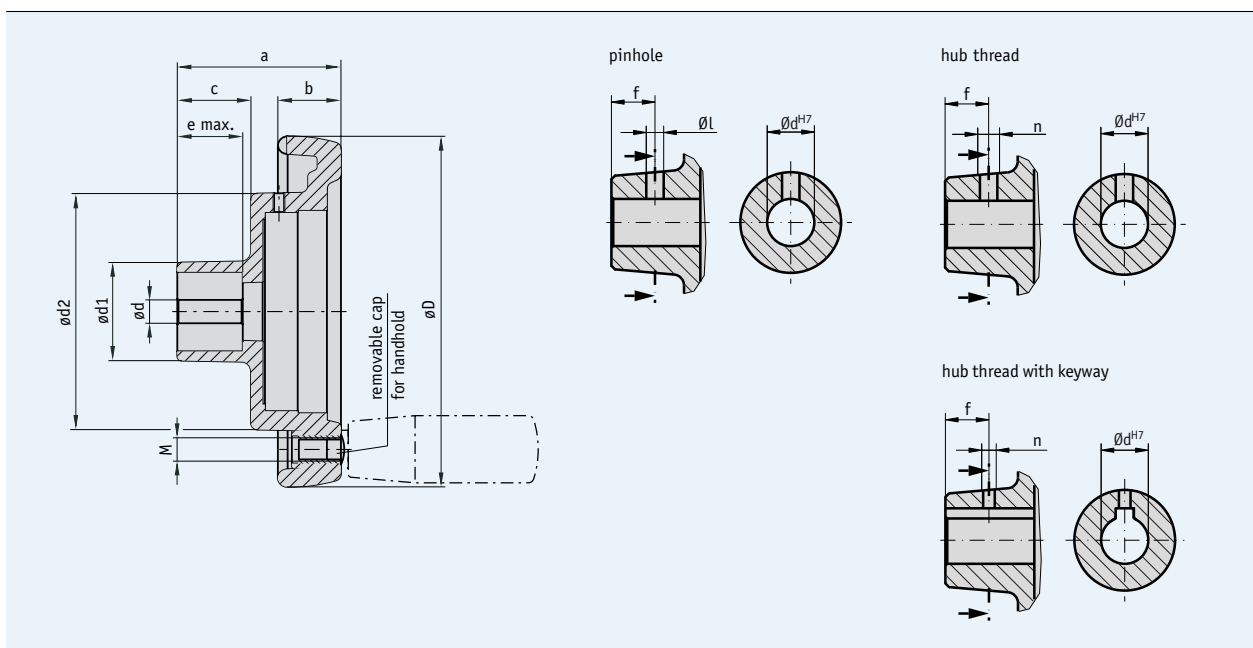


Profile

- Robust and economic plastic handwheel
- Various sizes
- Hub made of zinc-coated steel for high stability and easy shaft mounting
- Various hub versions
- With thread for mounting a turning handle (see accessories)



Mechanical data

■ Dimensions

| type | ØD | Ødv | Ødx | Ød1 | Ød2 | a | b | c | e | GfG | suitable for | weight | material |
|--------|-----|-----|-----|-----|------|----|----|------|----|-----|---------------|---------|---------------------------------|
| KHB 9 | 87 | 5.8 | 16 | 32 | 63 | 54 | 17 | 21 | 20 | M6 | S50/1 | 0.16 kg | plastic, hub: zinc-coated steel |
| KHB 13 | 130 | 6.8 | 26 | 42 | 98.2 | 66 | 24 | 28.5 | 24 | M8 | S80/1; SZ80/1 | 0.35 kg | plastic, hub: zinc-coated steel |
| KHB 15 | 150 | 6.8 | 26 | 42 | 101 | 70 | 27 | 30.5 | 28 | M10 | S80/1; SZ80/1 | 0.43 kg | plastic, hub: zinc-coated steel |
| KHB 20 | 200 | 6.8 | 30 | 46 | 136 | 72 | 32 | 25 | 23 | M10 | S120/1 | 0.81 kg | plastic, hub: zinc-coated steel |

dv = d predrilled; dx = d max.; with keyway; GfG = thread for handle

■ Special versions

| Handwheel type | KHB 9 | | | | | KHB 13 / KHB 15 | | | | | | |
|-----------------------------|-----------------|-------|--------|--------|--------|-----------------|--------|--------|-----------|-----------|-----------|--------|
| | 6 ... 8 | 9, 10 | 11, 12 | 13, 14 | 15, 16 | 7, 8 | 9, 10 | 11, 12 | 13 ... 17 | 18 ... 20 | 21 ... 24 | 25, 26 |
| Bore dH7 | | | | | | | | | | | | |
| Groove width for keyway JS9 | | 3 | 4 | | | | 3 | 4 | 5 | 6 | | |
| Pinhole | 3.8/8 | 3.8/8 | 3.8/8 | 4.8/8 | | 3.8/12 | 3.8/12 | 3.8/12 | 4.8/12 | 4.8/12 | 4.8/12 | |
| Hub thread | no keyway JS9 | M4/8 | M4/8 | M4/8 | M6/8 | M4/12 | M4/12 | M4/12 | M6/12 | M6/12 | M6/12 | |
| | with keyway JS9 | | M3/8 | M3/8 | | M3/12 | M3/12 | M4/12 | M5/12 | | | |

| Handwheel type | KHB 20 | | | | | | |
|-----------------------------|--------------------|--------|--------|-----------|-----------|-----------|-----------|
| Bore dH7 | 7, 8 | 9, 10 | 11, 12 | 13 ... 17 | 18 ... 22 | 23 ... 25 | 26 ... 30 |
| Groove width for keyway JS9 | | 3 | 4 | 5 | 6 | 8 | |
| Pinhole | 3.8/10 | 3.8/10 | 3.8/10 | 4.8/10 | 4.8/10 | 4.8/10 | |
| Hub thread | without keyway JS9 | M4/10 | M4/10 | M4/10 | M6/10 | M6/10 | M6/10 |
| | with keyway JS9 | | M3/10 | M3/10 | M4/10 | M5/10 | |

Note: Characters highlighted in orange are order features

Order

Order table

| Feature | Order data | Technical data | Additional information |
|--------------------------------|---------------------|--|--|
| Handwheel | KHB... A | 9, 13, 15, 20 | see "Dimensions" |
| Bore Ød | d vorg. ... B | predrilled, see table above, value Ødv 6 ... 30 d max. in mm steps (H7) | see "Dimensions" |
| Keyway | OP C | without keyway | |
| | JS9 | light seat | according to DIN 6885 T1 |
| Pinhole (only without keyway) | OS D | without pinhole | see table "Special versions", depending on hand-wheel type, only with hub thread "ONG" |
| | ... | diameter „Øl“/measure "f" (e.g. 3.8/12) | |
| | | others on request | |
| Hub thread | ONG E | without hub thread | see table "Special versions", depending on handwheel type, only with pinhole "OS" |
| | ... | thread "n"/measure "f" (e.g. M4/12) | |
| | | others on request | |
| Position indicator mounted (*) | PM F | position indicator mounted | |
| | PS | separate position indicator | |
| Hub turned down | OAN G | without turned-down hub | only KHB9 |
| | | turned-down hub on request | |

* separate ordering of position indicator required! (see pages 74-82)

Order code



Scope of delivery: KHB...

Accessories:

Handles
End plate

Page 102
Page 103

Additional information:

General information and areas of application

Page 68 cont.