

Electronic Display MA562

The display has a hard-wired manetic sensor and is used for linear or rotary data logging. The lowest-power technology enables the MA562 to be used as a low-cost quasi-absolute system over a period of approx. 10 years - currentless adjustments are, therefore, logged.



SIKO GmbH

Address
 Weihermattenweg 2
 79256 Buchenbach

Telephone
 +49 (0) 7661/394-0
Fax
 +49 (0) 7661/394-388

eMail
 info@siko.de
Internet
 www.siko.de



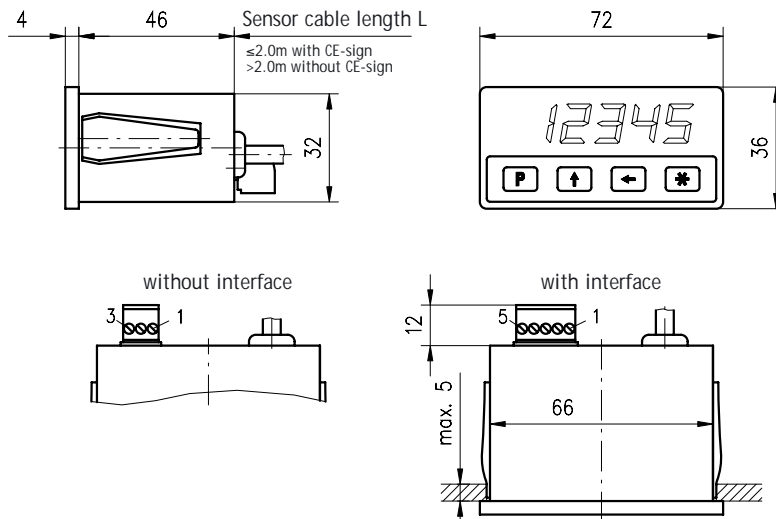
Features:

- 5-digit LED with minus sign
- backup battery (approx. 10 years of working life), thus quasi-absolute
- hard-wire sensor
- system accuracy: ±0.1mm
- repeat accuracy: ± 1 increment
- snap-in module housing

Feature	Order text	Additional information
Design	EG	mount type
Operating voltage	4 B	24VDC ±20%
Magnetic sensor	L C	rectangle with elongated hole round design
Sensor cable length	... D	in meter
Backup	i E	internal external
Interface/protocol	XX/XX F	without RS485/ASCII-protocol
Software	S G	standard

Your ordering: MA562 - A - B - C - D - E - F - G

Electronic Display MA562



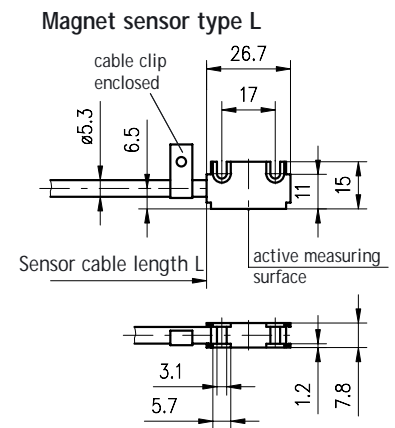
Pin assignment without interface

Pin	Signal	Pin	Signal
1	Ext Backup	1	N.C.
2	+UB	2	+UB
3	GND	3	GND

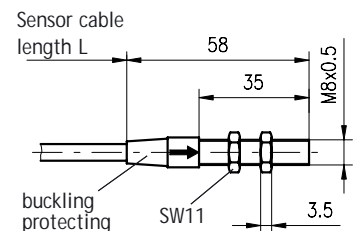
Pin assignment with interface

Pin	Signal	Pin	Signal
1	Data A	1	Data A
2	Data B	2	Data B
3	Ext Backup	3	N.C.
4	+UB	4	+UB
5	GND	5	GND

cutout in control panel according to DIN 43700: $68^{+0.7} \times 33^{+0.6}$



Magnet sensor type F



Technical data

Mechanical data:

Type of protection	IP54 from the front side
Operating temperature	-10°C ... +70°C
Storage	-30°C ... +80°C
Humidity	max. 95% rF rel. condensation not permitted
Vibration resistance (50Hz ... 2000Hz)	<200m/s ² DIN IEC 68-2-6
Shock resistance (11ms)	<300m/s ² DIN IEC 68-2-27
Housing	plastic red (transparent)
Operator controls	4 keys, membrane keyboard
Weight	ca. 70g

Electrical data:

Power supply	24VDC
Power consumption	max. 60mA @ 24VDC
Power supply backup	3.0 ... 3.6VDC
Power consumption backup	<30µA @ 3VDC
low-bat-symbol active	<2.8VDC
Backup	internal Lithium (2200mAh) external free choice
Display range	-99 999 ... 99 999
Protection class	3 acco. to IEC 801
Test mark	CE

System data, resolution and accuracy:

Resolution	max. 0.01mm
Suitable magnetic tape/ring	MB500/MR500
Sensor/magnetic strip gap	max. 2mm
System accuracy	±0.1mm
Repeat accuracy	±1 increment
Travel speed	5m/s