

# Absolute encoder MH58

Hollow shaft

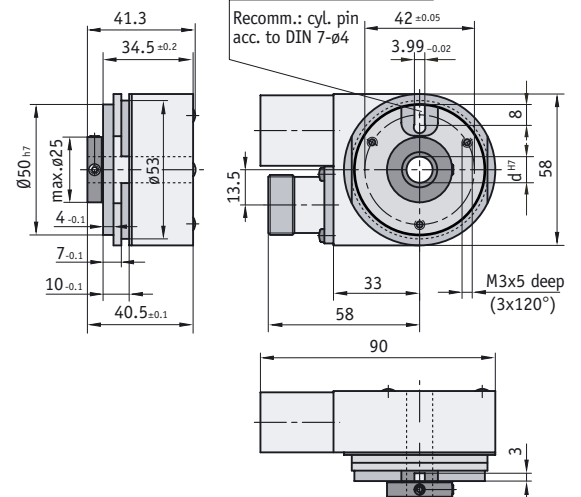
MH58 - absolute, programmable multi-turn encoder with through hollow shaft and an installation depth of only 41 mm!



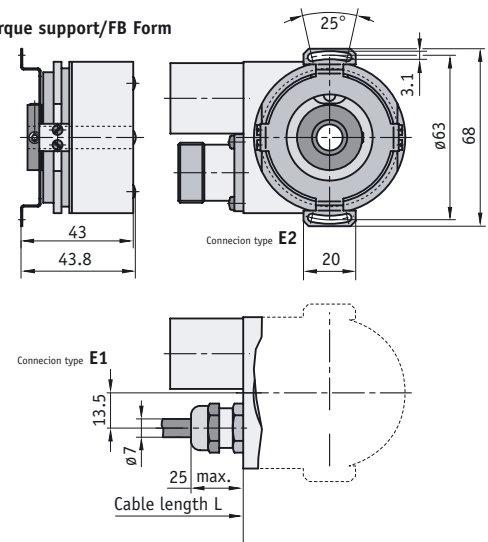
## Features:

- hollow shaft up to diam. 12 mm
- 58 mm size diam.
- SSI interface
- easy installation
- IP 65 type of protection
- shock-proof up to 250 g

### Torque support/N Form



### Torque support/FB Form



Feature	Order text	Technical data	Additional information
Interface/protocol	S6/04 <b>A</b>	RS422/SSI	
Connection type	E1 <b>B</b> E2	cable connector	mating connector available as art. no. 81273
Position of el. connection	A <b>C</b> R	axial radial	
Cable length L [m]	1.0 <b>D</b> OK	2.0, 3.0, 5.0, 8.0, 10.0 without cable	
Steps/revolution	8192 <b>E</b>	4096	
Number of revolutions	4096 <b>F</b>		
Output code	B <b>G</b> G	binary Gray	
Torque support/type	N <b>H</b> FB	groove for cylindrical pin spring buckle	
Hollow shaft diameter [mm]	10 <b>I</b> 12		
<b>Mechanical data</b>			
Speed		max. 6000 min <sup>-1</sup>	3000 min <sup>-1</sup> at continuous operation
Rotor moment of inertia		approx. 6 x 10 <sup>-6</sup> kgm <sup>2</sup>	
Starting torque		< 0.01 N	
Weight		approx. 0.5 kg	
Type of protection		IP 65	according to EN 60 529
Temperature range		working temperature -20 °C ... +70 °C <sup>2)</sup>	storage temperature -20 °C ... +80 °C
Air humidity		condensation not permissible	
Shaft		stainless steel	
Shock resistance		2500 m/s <sup>2</sup> , 6 ms	according to DIN-IEC 68-2-27
Vibration resistance		100 m/s <sup>2</sup> , 10 ... 2000 Hz	according to DIN-IEC 68-2-6
<b>Electrical data</b>			
Operating voltage		SSI, 5 ... 30 VDC	
Output driver		RS 485	
Power consumption without load		typ. 89 mA	
Permitted load/channel (max.)		± 20 mA	
SSI clock speed min./max.		100 kHz/500 kHz	
Signal level high		typ. 3.8 V	
Signal level low		typ. 1.3 V (20 mA)	
Ramp-up time t <sub>r</sub> (max.)		100 ns*	
Ramp-down time t <sub>f</sub> (max.)		100 ns*	
Short-circuit proof outputs		yes**	with correctly applied supply voltage
Polarity protection on U <sub>B</sub>		yes	
<b>Other data</b>			
Test mark		CE	

\* without cable, \*\* short circuit permitted towards 0V and +UB outputs at UB = 5 V DC . Short circuit permitted towards 0V output at UB = >5 V DC.

Your order data:  -  -  -  -  -  -  -  -  -