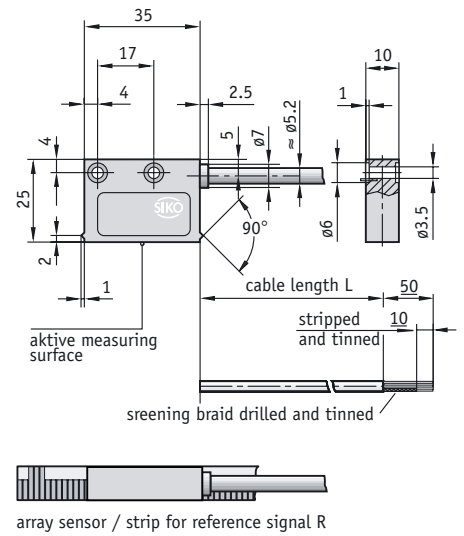
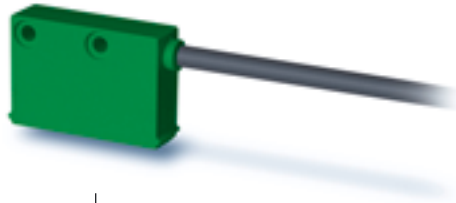


Magnetic Sensor MSK200/1

Contactless measuring sensor unit with integrated translation module and digital signal output.
In combination with the MB 200 magnetic band, the magnetic sensor forms an open, robust and linear measuring system.



Features:

- easy mounting
- insensitive to dust, shavings, humidity
- max. resolution 2 μm
- system accuracy ± 0.025 mm
- real-time data processing
- protection class IP67
- resolution/pulse interval set by manufacturer

Resolution	Travel speed v_{max} [m/s]				
	0.32	0.68	1.36	2.76	5.52
2	0.7	1.4	2.8	5.8	11.6
4	0.88	1.8	3.6	7.2	14.4
5	1.8	3.6	7.2	14.4	25.0
10	4	2	1	0.5	0.25
Pulse interval [μs]	4	2	1	0.5	0.25

The travel speed results from the selected pulse interval and the corresponding resolution

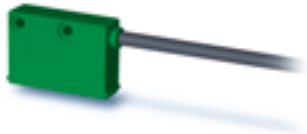
Feature	Ordering data	Technical data	Additional information
Supply voltage	4	24 V DC ± 20 %	standard, with polarity protection
	5	5 V DC ± 5 %	
Connection	E1	flying leads	standard
	E6, E8	E6, circular plug	E8, D-SUB 9-pin
Cable length	2.0	2.0 m	standard, max. 20 m
Reference signal	0	without	standard
	I	index periodical	additional hall-element inside the sensor
	R	index fixed	
Resolution	2	2 μm	standard, options 4 / 5 / 10
Pulse interval	1	1 μs	standard, options 4 / 2 / 0.5 / 0.25
Power consumption		max. 70 mA	@ 24 V DC unloaded
Output circuit		LD	line driver RS422
Output signals		A, /A, B, /B, option: I, /I or R, /R	square signal
Gap magnetic strip / sensor		0.1 – 1.0 mm, reference signal R < 0.4 mm	lateral offset ± 1 mm, angular offset ± 3°
System accuracy		± (0.025 + 0.01 × L) mm, L in m	repeat accuracy ± 1 increment
Travel speed		see table	max. reference speed 2 m/s
Interference protection class		3, according to IEC 801	humidity: 100 % rF, condensation permissible
Temperature ranges		working temperature: -10 ... +70 °C	storage temperature: -30 ... +80 °C
Protection class		IP67 according to DIN 40050 (housing)	test mark CE
Housing		green plastic	
Cable		PUR	

Note: The internal translation module can generate rapid counting pulses whose length is limited by the pulse interval. The follower electronic must be adjusted accordingly. If necessary select the pulse interval in advance. For supply voltage 4 and reference signal I/R it is necessary to use a terminating resistor of ≥ 300 Ohm to prevent thermal stress.

Your ordering: - - - - - -

Fax Inquiry: 734-426-3476

For immediate information



To receive more information on the new SIKO products, simply mark the appropriate item(s) in the list below and fax this page to us.

- Technical advice on MSK200/1
- Visit of a SIKO sales representative
- Price information
- Catalog with brochures on the complete SIKO product range

Name

Company

Department/Function

Street

Zip-Code/City

Phone

Fax

eMail



USA/Canada
SIKO Products

Address
P.O. BOX 279
USA-Dexter, MI 48130

Telephone
+1 (734) 4 26 - 34 76

Fax
+1 (734) 4 26 - 34 53

Email
sales@sikoproducts.com

Internet
www.sikoproducts.com