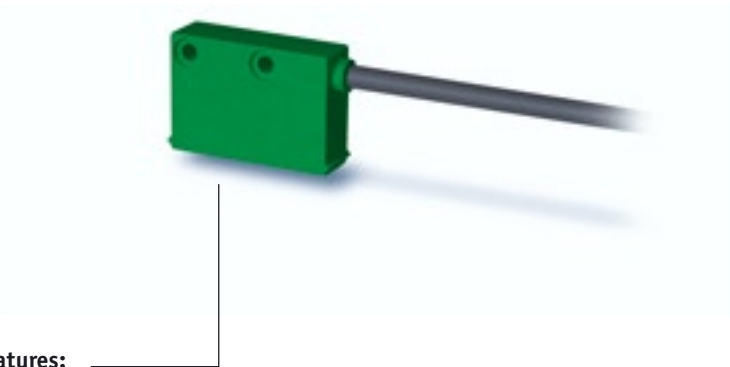


# Magnetic Sensor MSK210

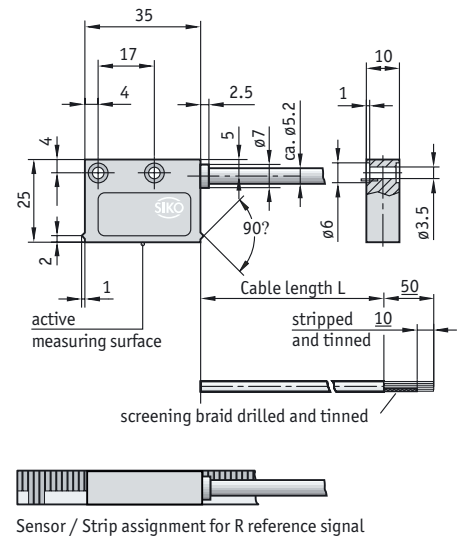
As a component of a magnetically operating, open and robust measuring system, this sensor with integrated translation module has a direct digital signal output. Used in combination with the MB200 magnetic strip, this sensor forms an open, robust linear measuring system.



## Features:

- insensitive to dust, shavings, humidity
- IP67 type of protection
- max. resolution 0.025 mm
- real-time data processing
- fixed reference point

**Note:** For operating voltage 4 and LD output circuit use terminating resistors  $\geq 470 \text{ Ohm}$  to avoid thermal overload.



Feature	Ordering data	Technical data	Additional information
Operating voltage	4	24 V DC $\pm 20 \%$	standard, with polarity protection
	5	5 V DC $\pm 5 \%$	
Design	A		standard
Connection/cable length	E1/2.0	flying lead, 2 m cable	standard (max. 20 m cable length)
	E6, E8	E6, circular plug	E8, D-SUB 9-pin
Output circuit	PP	push-pull	standard
	LD	line driver	
	TTL		only for non-inverted output signal, cable length max. 5.0 m
Output signal	NI	not inverted	standard
	I	inverted	standard with reference signal I or R
Reference signal	0	without	standard
	I	periodic index	
	R	fixed index	not possible for resolution 0.5 mm
Resolution	0.025	0.025 mm	standard, options 0.05/0.1
Power consumption		max. 70 mA	@ 24 V DC unloaded
Output signals		A, B A, /A, B, /B, options: I, /I, or R, /R	quadrature signal
Sensor / magnetic strip gap		0.1–1.0 mm, reference signal R 0.1–0.4 mm	lateral offset $\pm 2 \text{ mm}$ , @ reference signal R $\pm 0.5 \text{ mm}$
System accuracy		$\pm (0.05 + 0.01 \times L) \text{ mm}$ , L in m	repeat accuracy $\pm 1$ increment, at $T_U = 20 \text{ }^\circ\text{C}$
Jitter		< 15%	for sensor / magnetic strip gap 0.5 mm
Travel speed		max. 25 m/s	max. referencing speed 2 m/s
Interference protection class		3, according to IEC 801	humidity: 100 % rH, condensation permitted
Temperature ranges		working temperature: $-10^\circ \dots +70 \text{ }^\circ\text{C}$	storage temperature: $-30 \dots +80 \text{ }^\circ\text{C}$
Type of protection		IP67 acc. to DIN 40050 (housing)	CE test mark
Housing		A - plastic, green, L - aluminium, green	
Cable		PUR	

Your order:

MSK210

