

# Magnetic sensor MSK210P

Combined with a magnetic ring (e.g. MR200) the sensor MSK210P establishes a measuring system with extremely robust properties. Areas of use include speed measurement of motors where the system is directly mounted on the driving shaft.



SIKO GmbH

**Address**  
 Weihermattenweg 2  
 79256 Buchenbach

**Telephone**  
 +49 7661 394-0

**Fax**  
 +49 7661 394-388

**E-Mail**  
 info@siko.de  
**Internet**  
 www.siko.de



**Features:**

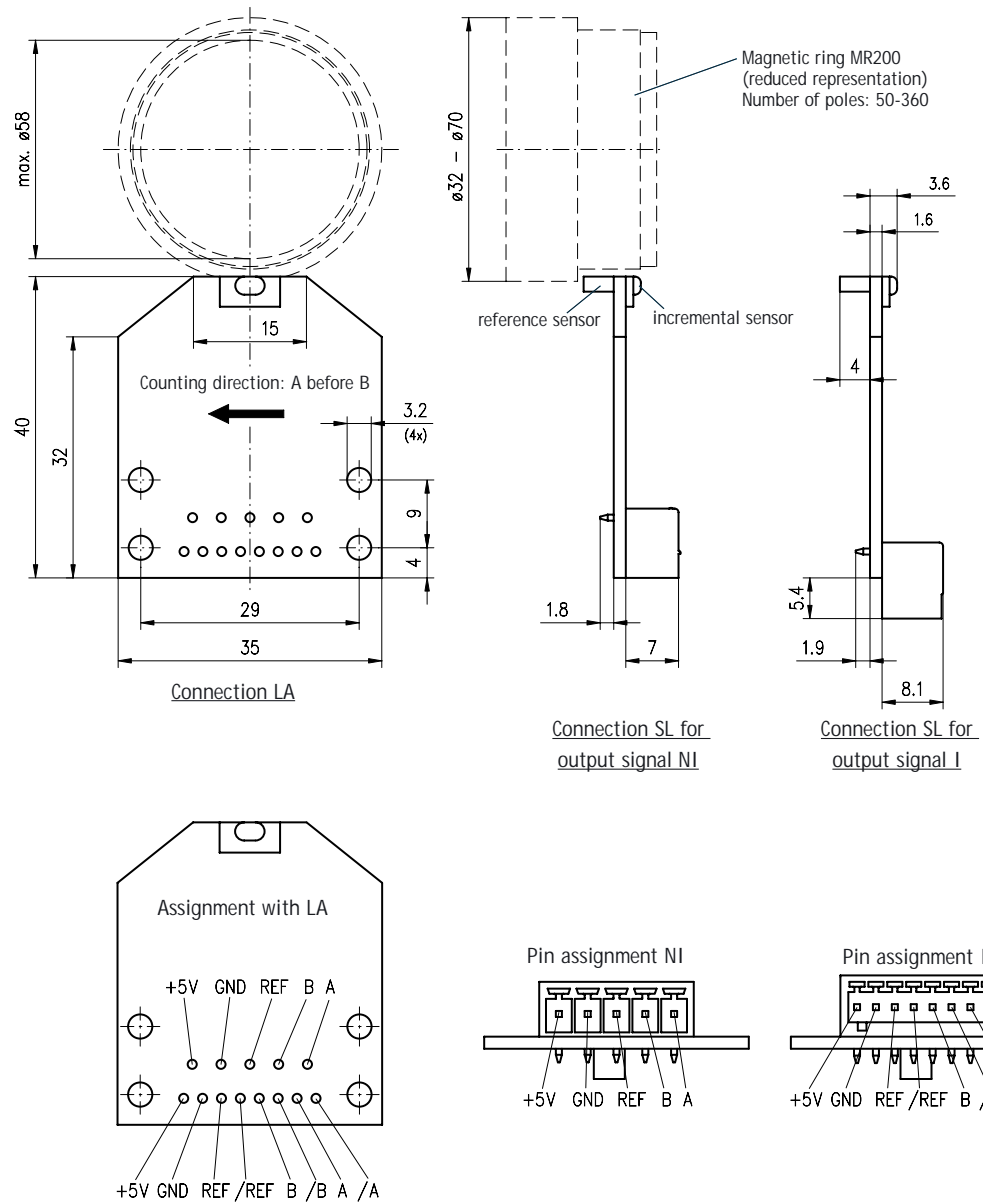
- incremental assembly kit solution
- magnetic, non-contact scanning; completely wearless and robust towards mechanical impact such as shock, vibration, etc.
- very small and compact mounting dimensions
- standard up to 2000 pulses/revolution
- reference signal as an option

Feature	Order text	Additional information
Operating voltage	4	24VDC ±20%
	5	5VDC ±5%
Connection	LA	soldering connection bore
	SL	multi-point connector
Output circuit	PP	push-pull
	LD	line driver
	TTL	
Output signal	NI	not inverted
	I	inverted
Reference signal	0	without
	I	periodic index
	R	reference fixed
Resolution linear/radial scale	0,025/20	
	0,03125/16	
	0,05/10	
	0,0625/8	
	0,1/5	
	0,125/4	
	0,5/1	reference signal "R" not enabled

Customer-specific solutions on request.

Your ordering:  -  -  -  -  -  -

# Magnetic sensor MSK210P



Technical data	Additional information	
<b>Electrical data:</b>		
Power supply	24VDC ± 20%	
	5VDC ± 5%	
Power consumption	<25mA unloaded	
Real-time requirement	real-time signal output	
Index mark	periodically every 2mm / length 1 increment	
Interference protection class	3	
Test mark	CE conformity	only enabled in connection with the complete system
<b>Environmental conditions:</b>		
Working temperature	0°C ... +50°C	
Storage temperature	-20°C ... +70°C	
Humidity	95% rel.	
<b>System data:</b>		
Travel speed	max. 25m/s	
System accuracy	±50µm	
Repeat accuracy	±1 increment	
Sensor/magnetic strip gap	0,1 - 0,8mm	bei Referenzsignal 0 + I
	0,1 - 0,4mm	for reference signal R