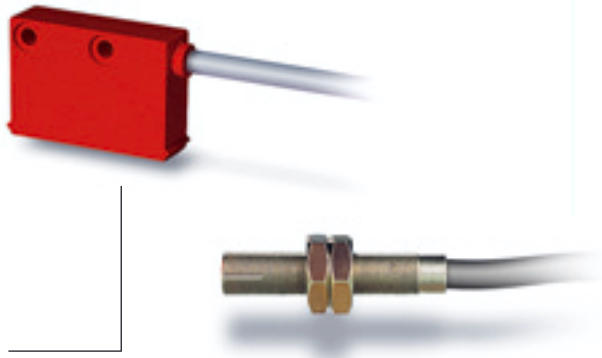


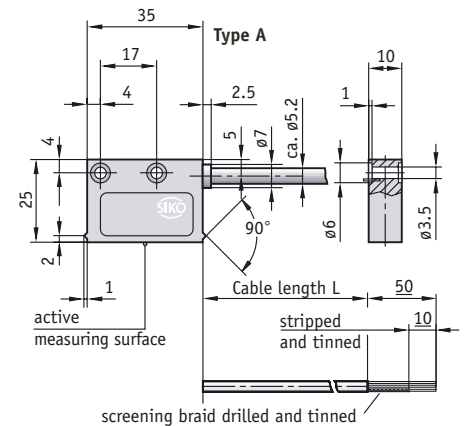
Magnetic Sensor MSK320

As a component of a magnetically operating, open and robust measuring system, this sensor with integrated translation module has a direct digital signal output. Used in combination with the MB320 magnetic strip, this sensor forms an open, robust and linear measuring system.

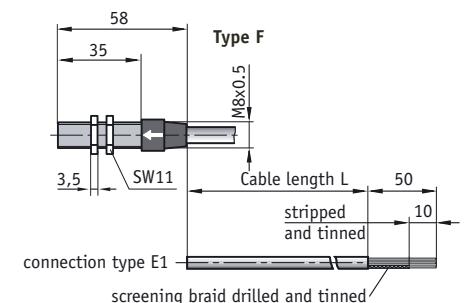


Features:

- insensitive to dust, shavings, humidity
- IP67 type of protection
- max. resolution 0.04 mm
- real-time data processing
- fixed reference point



Sensor / Strip assignment for R reference signal



Feature	Ordering data	Technical data	Additional information
Operating voltage	4 5	24 V DC \pm 20 % 5 V DC \pm 5 %	standard, with polarity protection
Design	A	rectangular	standard
	F	round design	
Connection / cable length	E1/2.0	flying lead, 2 m cable	standard (max. 20 m cable length) E8, D-SUB 9-pin
	E6, E8	E6, circular plug	
Output circuit	PP	push-pull	standard, only operating voltage 4 only for non-inverted output signal, cable length max. 5.0 m
	LD	line driver	
	TTL		
Output signal	NI	not inverted	standard standard with reference signal I or R
	I	inverted	
Reference signal	O	without	standard not possible for resolution 0.8 mm
	I	periodic index	
	R	fixed index	
Resolution	0.1	0.1 mm	standard, options 0.05/0.2/0.8/0.04/0.08/0.16 F design only possible with 0.1/0.2 resolution
Power consumption		max. 70 mA	@ 24 V DC unloaded
Output signals		A, B A, /A, B, /B, options: I, /I, or R, /R	quadrature signal only A design, quadraturesignal
Sensor / magnetic strip gap		0.1–2.0 mm, reference signal R 0.1–1.5 mm	lateral offset \pm 2 mm, @ reference signal R \pm 0.5 mm
System accuracy		\pm (0.1 + 0.01 x L) mm, L in m	repeat accuracy \pm 1 increment, at $T_U = 20^\circ\text{C}$
Jitter		< 15%	with 0.5 mm sensor/magnetic strip gap
Travel speed		max. 25 m/s	max. referencing speed 3.2 m/s
Interference protection class		3, according to IEC 801	humidity: 100 % rH, condensation permitted
Temperature ranges		working temperature: $-10^\circ \dots +70^\circ\text{C}$	storage temperature: $-30 \dots +80^\circ\text{C}$
Type of protection		IP67 acc. to DIN 40050 (housing)	CE test mark
Housing		rectangular housing, plastic, red	round steel housing
Cable		PUR	

Your order:

MSK320 - - - - - - -