

# Magnetic Sensor MSK3200

Contactlessly measuring sensing head with integrated translation module and digital signal output. Combined with the magnetic strip MB320 the sensor establishes an open and robust measuring system with very high resolution and a sensing distance of up to 2.0mm.



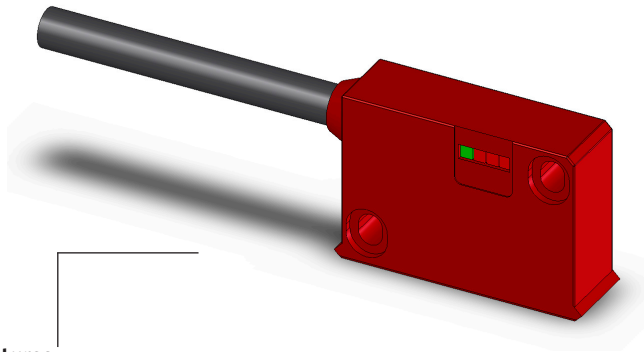
**SIKO GmbH**

**Address**  
Weihermattenweg 2  
79256 Buchenbach

**Telephone**  
+49 7661 394-0

**Fax**  
+49 7661 394-388

**eMail**  
info@siko.de  
**Internet**  
www.siko.de



**Features:**

- Resolution up to 0,025mm
- freely programmable parameters (e.g., resolution) via optical interface
- Status LED display
- Real-time signal processing
- Scale MB320 (linear) / MR320 (radial)
- Reference signal fixed or periodic

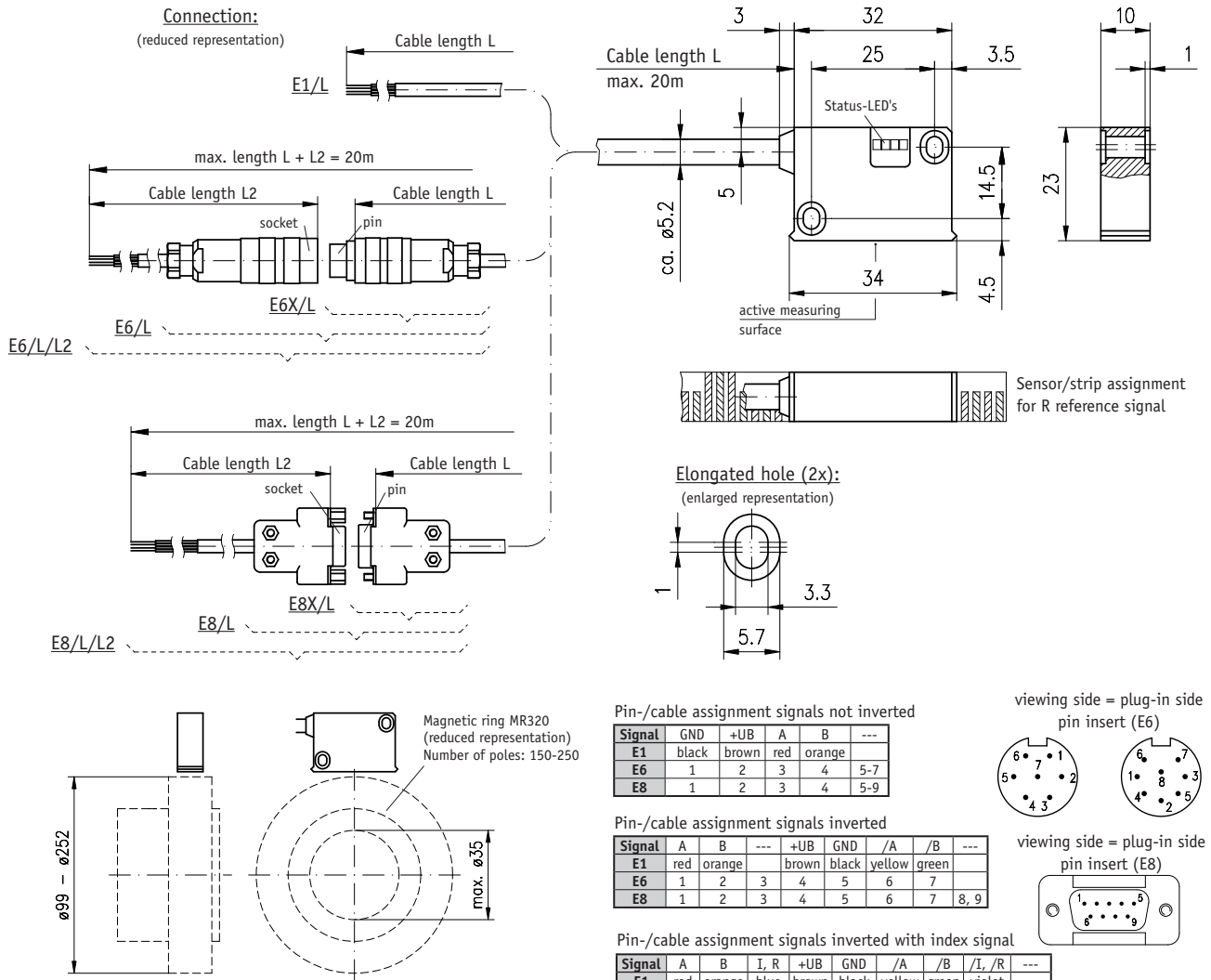
Resolution in mm	Travel speed Vmax. (m/s)									
	0,31	0,63	1,25	2,50	5,00	10,00	20,00	25,00	25,00	25,00
0,025	0,31	0,63	1,25	2,50	5,00	10,00	20,00	25,00	25,00	25,00
0,04	0,50	1,00	2,00	4,00	8,00	16,00	25,00	25,00	25,00	25,00
0,05	0,63	1,25	2,50	5,00	10,00	20,00	25,00	25,00	25,00	25,00
0,08	1,00	2,00	4,00	8,00	16,00	25,00	25,00	25,00	25,00	25,00
0,10	1,25	2,50	5,00	10,00	20,00	25,00	25,00	25,00	25,00	25,00
0,16	2,00	4,00	8,00	16,00	25,00	25,00	25,00	25,00	25,00	25,00
0,20	2,50	5,00	10,00	20,00	25,00	25,00	25,00	25,00	25,00	25,00
0,40	5,00	10,00	20,00	25,00	25,00	25,00	25,00	25,00	25,00	25,00
0,80	10,00	20,00	25,00	25,00	25,00	25,00	25,00	25,00	25,00	25,00
Pulse interval (µs)	64,00	32,00	16,00	8,00	4,00	2,00	1,00	0,50	0,25	
Count. frequ. (kHz)	3,91	7,81	15,63	31,25	62,50	125,00	250,00	500,00	1000,00	

**Note:** The internal translation module can generate fast counting pulses, the lengths of which are limited by the pulse interval. The follower electronics must be adjusted accordingly. Select the pulse interval in advance, if necessary.

Feature	Order text	Additional information
Operating voltage	10	6,5VDC ... 30VDC
	11	4,75VDC ... 6VDC
Connection	E1	standard
	E6X	
	E6	
	E8X	
	E8	
Cable length L (in m)	... C max. 20m	standard 1,0m
Cable length L2 (in m)	... D	L + L2 = max. 20m
Output circuit	PP	push pull line driver
	LD	
	TTL	
Output signal	NI	not inverted inverted
	I	
Reference signal	O	without periodic index reference fixed
	I	
	R	
Resolution linear/radial scale	0,1/8 H	standard, options: 0,025/32; 0,04/20; 0,05/16; 0,08/10; 0,16/5; 0,2/4; 0,4/2; 0,8/1
Pulse interval µs	1,00 I	standard, options: 0,25; 0,5; 2,0; 4; 8; 16; 32; 64

Your ordering:  -  -  -  -  -  -  -  -  -

# Magnetic Sensor MSK3200



**Technical data**

**Additional information**

<b>Mechanical data:</b>	
Housing	ABS red
Sensor cable	PUR, drag chain-compatible
<b>Electrical data:</b>	
Power supply	6,5VDC ... 30VDC 4,75VDC ... 6VDC
Power consumption	<25mA without load
Output signals	A; /A; B; /B; I; /I or R; /R
Realtime requirements	real-time signal processing
Index mark	periodic, fixed
Interference protection class	3
Test mark	CE
<b>Environmental conditions:</b>	
Working temperature	-10°C ... +70°C
Storage temperature	-30°C ... +80°C
Humidity	100% rF, condensation permitted
Type of protection	IP67
<b>System data:</b>	
Pole length	3,2mm
Suitable magnetic tape/ring	MB320 / MR320
Travel speed	depending on resolution and pulse interval
System accuracy	±0,1mm
Repeat accuracy	max. ±10µm
Sensor/magnetic strip gap	0,1 - 2,0mm 0,1 - 1,5mm (0,1 - 1,0mm)

reference signal 0 + I  
reference signal R linear (rotate)