

Analog Input Modules

P3-08THM



Thermocouple Analog Input

The P3-08THM Thermocouple Input Module provides eight differential channels for receiving thermocouple and voltage input signals.



Patent-pending LCD gives access to field signal values, as well as module and signal faults.

Terminal Block P3-RTB and Cover included. Not compatible with Z/PLink.

T/C Input Specifications

Input channels	8 differential
Data Format	Floating point
Common Mode Range	-1.3V to +3.8V
Common Mode Rejection	100dB @ DC and 130dB @ 60Hz
Input Impedance	>5M ohms
Maximum Ratings	Fault-protected inputs to ±50VDC
Resolution	16-bit, ± 0.1°C or °F
Thermocouple Input Ranges	Type J -190° to 760°C (-310° to 1400°F); Type E -210° to 1000°C (-346° to 1832°F); Type K -150° to 1372°C (-238° to 2502°F); Type R 65° to 1768°C (149° to 3214°F); Type S 65° to 1768°C (149° to 3214°F); Type T -230° to 400°C (-382° to 752°F); Type B 529° to 1820°C (984° to 3308°F); Type N -70° to 1300°C (-94° to 2372°F); Type C 65° to 2320°C (149° to 4208°F);
Cold Junction Compensation	Automatic
Thermocouple Linearization	Automatic
Accuracy vs. Temperature	±50PPM / °C Maximum
Linearity Error	±1°C Maximum (±0.5°C typical), Monotonic with no missing codes
Maximum Inaccuracy	±3°C Max (excluding thermocouple error) (including temperature drift)
Warm-up Time	30 Minutes for ±1°C Repeatability 2 minutes to reach voltage specifications
Sample Duration Time	270ms
All Channel Update Rate	2.16s
Open Circuit Detection Time	Within 2s
Conversion Method	Sigma-Delta
External DC Power	NONE

Voltage Input Specifications

Linear mV Device Input Ranges	0-39.0625 mVDC, +/-39.0625 mVDC, +/-78.125 mVDC, 0-156.25 mVDC, +/-156.25 mVDC, 0-1250 mVDC
Max Voltage Input Offset Error	0.05% @ 0° - 60°C, typical 0.04% @ 25°C
Max Voltage Input Gain Error	0.06% @ 25°C
Max Voltage Input Linearity Error	0.05% @ 0° - 60°C, typical 0.03% @ 25°C
Max Voltage Input Inaccuracy	0.2% @ 0° - 60°C, typical 0.06% @ 25°C

Removable Terminal Block Specifications

Description	Part No. P3-RTB; 20 screw terminals
Wire Range	22-14 AWG (0.324 to 2.08 sq. mm) Solid / stranded conductor 3/64 in. (1.2 mm) insulation maximum "USE COPPER CONDUCTORS , 60°C" or equivalent.*
Screw Driver Width	1/4 inch (6.5 mm) maximum
Screw Size	M3 size
Screw Torque	Field terminals – 7 - 9 in./lb (.0882 - 1.02 Nm) Self-jacking screws – 2.7 - 3.6 in./lb (0.3 - 0.4 Nm). Do not overtighten screws when installing terminal block.

* Use shielded, twisted thermocouple wire that matches the thermocouple type.

Configuration/Diagnostics

Burn-out Detection Enable/Disable	1-bit per module
Low Side/High Side Burn-out	1-bit per module
°C/°F (T/C only)	1 bit per module
Module Diagnostics Failure	1 bit per module
Burn-out (on if T/C input is open – no connection between TCn+ and TCn-)	1 bit per channel
Channel Under-range (T/C only)	1 bit per channel
Channel Over-range (T/C only)	1 bit per channel

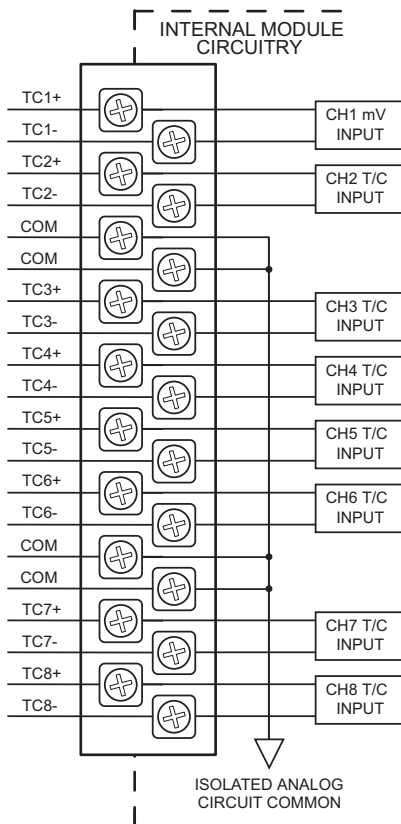
Analog Input Modules

P3-08THM (cont'd)

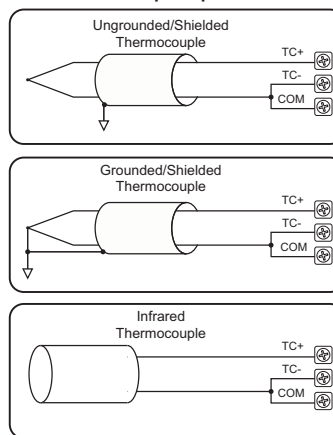
General Specifications	
Operating Temperature	0° to 60°C (32° to 140°F)
Storage Temperature	-20° to 70°C (-4° to 158°F)
Humidity	5 to 95% (non-condensing)
Environmental Air	No corrosive gases permitted
Vibration	IEC60068-2-6 (Test Fc)
Shock	IEC60068-2-27 (Test Ea)
Field to Logic Side Isolation	1800VAC applied for 1 second
Insulation Resistance	>10MΩ @ 500 VDC
Heat Dissipation	0.36 W
Enclosure Type	Open Equipment
Agency Approvals	UL508 file E157382, Canada & USA UL1604 file E200031, Canada & USA CE (EN61131-2*) This equipment is suitable for use in Class 1, Division 2, Groups A, B, C and D or non-hazardous locations only.
Module Keying to Backplane	Electronic
Module Location	Any I/O slot in any local, expansion, or remote base in a Productivity3000 System.
Field Wiring	Removable terminal block (included). The P3-08THM module is not compatible with the ZIPLink wiring system.
EU Directive	See the "EU Directive" topic in the Productivity3000 Help File. Information can also be obtained at: www.productivitypac.com
Terminal Type	20-position removable terminal block (included)
Weight	150g (5.3 oz)

*Meets EMC and Safety requirements. See the Declaration of Conformity for details.

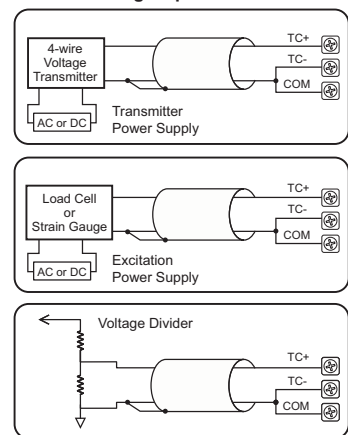
WARNING: Explosion hazard – Substitution of components may impair suitability for Class I, Division 2.



Thermocouple Input Circuits



Voltage Input Circuits



NOTES:

1. Connect shield to thermocouple signal/ground only. Do not connect to both ends.
2. Jumper unused inputs to common.
3. Use caution if using Grounded Thermocouples, which create an electrical connection between the object being measured and the thermocouple. Stray voltage onto the thermocouple wire WILL skew temperature measurements and may damage the sensitive circuits of the P3-08THM.
4. Use shielded, twisted thermocouple extension wire that matches the thermocouple type. Use thermocouple-compatible junction blocks.

I/O Modules

A variety of discrete and analog I/O modules are available for use in local, expansion, and remote I/O bases. Specifications for each module are on the following pages.

A filler module is available for unused I/O module slots (part number P3-FILL).



Discrete Input Modules

Productivity3000 Discrete Input Modules			
Part Number	Number of Inputs	Description	Price
P3-16SIM	16	Input Simulator Module	<--->
P3-08ND3S	8	Isolated Sinking/Sourcing DC Input	<--->
P3-16ND3	16	Sinking/Sourcing DC Input	<--->
P3-32ND3*	32	Sinking/Sourcing DC Input	<--->
P3-64ND3*	64	Sinking/Sourcing DC Input	<--->
P3-08NAS	8	Isolated AC Input	<--->
P3-16NA	16	AC Input	<--->

*ZIPLink required.

Analog I/O Modules

Productivity3000 Analog Input Modules			
Part Number	Number of Channels	Description	Price
P3-04ADS	4	Isolated Analog Input	<--->
P3-08AD	8	Analog Input	<--->
P3-16AD-1	16	Analog Input (Current)	<--->
P3-16AD-2	16	Analog Input (Voltage)	<--->
P3-08RTD	8	Analog RTD Input	<--->
P3-08THM	8	Analog Thermocouple Input	<--->

Productivity3000 Analog Output Modules			
Part Number	Number of Channels	Description	Price
P3-04DA	4	Analog Output	<--->
P3-08DA-1	8	Analog Output (Current)	<--->
P3-08DA-2	8	Analog Output (Voltage)	<--->
P3-06DAS-1	6	Isolated Analog Output (Current)	<--->
P3-06DAS-2	6	Isolated Analog Output (Voltage)	<--->
P3-16DA-1	16	Analog Output (Current)	<--->
P3-16DA-2	16	Analog Output (Voltage)	<--->

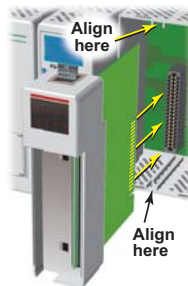
Productivity3000 Analog Input/Output Modules			
Part Number	Number of Channels	Description	Price
P3-8AD4DA-1	8/4	Analog Input/Output (Current)	<--->
P3-8AD4DA-2	8/4	Analog Input/Output (Voltage)	<--->

Discrete Output Modules

Productivity3000 Discrete Output Modules			
Part Number	Number of Outputs	Description	Price
P3-08TD1S	8	Isolated Sinking Output	<--->
P3-08TD2S	8	Isolated Sourcing Output	<--->
P3-16TD1	16	Sinking Output	<--->
P3-16TD2	16	Sourcing Output	<--->
P3-32TD1*	32	Sinking Output	<--->
P3-32TD2*	32	Sourcing Output	<--->
P3-64TD1*	64	Sinking Output	<--->
P3-64TD2*	64	Sourcing Output	<--->
P3-08TAS	8	Isolated AC Output	<--->
P3-16TA	16	AC Output	<--->
P3-08TRS	8	Isolated Relay Output	<--->
P3-16TR	16	Relay Output	<--->
P3-08TRS-1	8	Isolated Relay Output	<--->

*ZIPLink required.

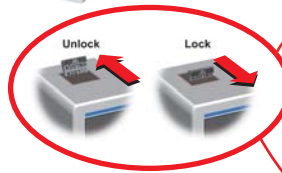
Module Installation Procedure



WARNING: Do not apply field power until the following steps are completed. See hot-swapping procedure for exceptions.

Step One: Align circuit card with slot and press firmly to seat module into connector.

Step Two: Pull top and bottom locking tabs toward module face. Click indicates lock is engaged.



Step Three: Attach field wiring using optional terminal block or ZIPLink wiring system and install cover.



To install or remove terminal block cover, press middle to flex cover.



WARNING: Explosion hazard – Do not connect or disconnect connectors or operate switches while circuit is live unless the area is known to be non-hazardous. Do not hot-swap modules unless the area is known to be non-hazardous.