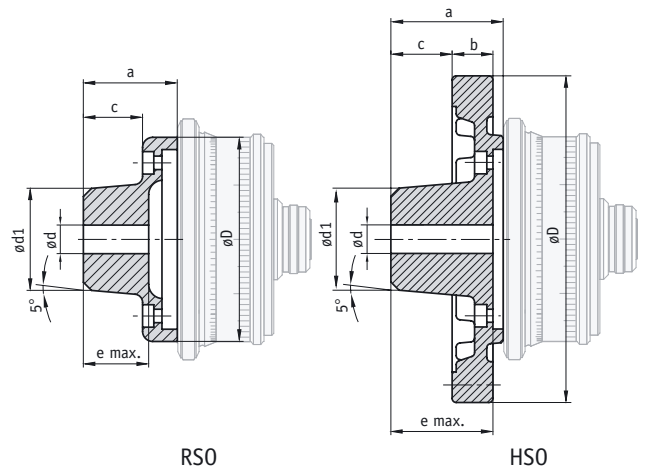


Handwheel RSO / HSO 16

These handwheels are intended especially for use with the SO 100 position indicator



Features:

- robust aluminium design

Option:

- hub adaptation in various versions

Type	øD	ødv	ødx	ød1	a	b	c	e	GfG	Weight
HSO 16	160	7.8	35	50	55	20	30	50	M10	1.6 kg
RSO	100	7.8	35	50	46	./.	29	32		0.4 kg

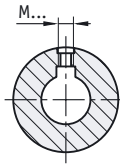
dv = d pred-drilled; dx = d max.; GfG = thread for handle

Feature	Ordering data	HSO	RSO	Technical data	Additional information
Handwheel	HSO 16	•		see table above	
	RSO		•	see table above	
Handle bore	OG	•		without handle bore	
	M10	•		with handle bore or thread	
Bore ød	d pre-dr.	•	•	pre-drilled, s. table above, value ødv	standard
	...	•	•	d max. in mm steps (H7)	s. table above (smallest bore corresponding to d pre-dr.)
Key groove	OP	•	•	without key groove	standard
	JS9	•	•	transition fit	acc. to DIN 6885 T1
	P9	•	•	press fit	acc. to DIN 6885 T1
Pin hole (only without key groove)	OS	•	•	without pin hole	standard
	No. x ø/f	•	•	see fold-out page	no. of pinholes x diameter/dimension f, e.g. 2x3.8/12
Hub thread	ONG	•	•	without hub thread	standard
	No x ø/f			see fold-out page	no. of hub threads x diameter/dimension f, e.g. 2xM4/12
Material		•	•	aluminium	
Colour		•	•	plastic coated, hammer finish, light grey	

Your ordering data: - - - - - -

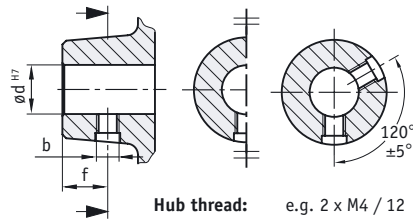
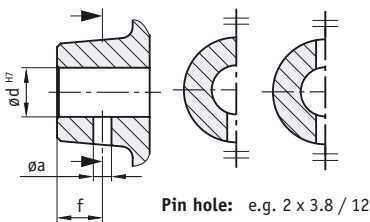
■ Hub thread with key groove present

Feature	Ordering date	Designation		
		groove mm	thread	ød
Hub thread	M3/12	4	M3	12
	M4/12	5	M4	14-16
	M5/12	6	M5	18-22
	M6/12	8	M6	24-30
	M8/12	10	M8	32-35



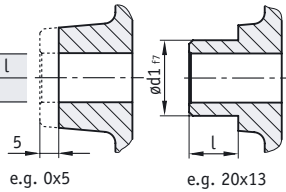
■ Hub thread or pin hole without key groove

Feature	Ordering date	Designation				
		ød >	up to ød	f	øa	b
Pin hole	3.8/12	6	12	12	3.8	-
	4.8/12	12	25	12	4.8	-
	5.8/12	25	35	12	5.8	-
Hub thread	M4/12	6	12	12	-	M4
	M6/12	12	25	12	-	M6
	M8/12	25	35	12	-	M8



■ Hub turned down to length and circumference

Feature	Ordering date	Designation
Hub turned down	d1 (f7)xl	ød1 (f7) x length l
Example:	20x13	ø20 f7 x 13 mm



■ Gear ratios (also see free angle on page 6)

S50/1; S70/1; HR5	S80/1; S120/1; HKF	S0100	SZ80/1
1	1	5	00002
2	2	6	00003
3	3	10	00004
6	6	15	00005
8	8	20	00006
10	10	50	00008
12	12	60	00010
15	15	80	
18	18	90	
20	20	100	
24	24		
30	30		
32	36		
36	48		
48	50		
50	60		
60	72		
72	84		
84	96		
96	100		
100	120		
120	150		
150	200		
200	500		
	600		
	625		

Fold-out Page

Reference tables

Help for sketching of a custom scale:

