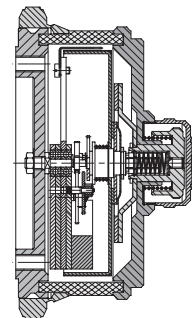
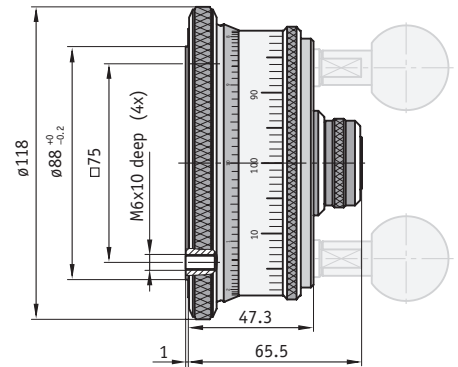


# Position Indicator SO 100

For all applications where front position indicators would not be visible, this handwheel / indicator combination with drum scale provides the solution. By means of a precision measuring ring, the resolution can be additionally increased.



## Features:

- for installation to horizontal spindles
- special gear ratios available
- special scales on request
- zero reset

## Option:

- ball turning handle

Feature	Ordering data	Technical data	Additional information
Gear ratio	...	A see fold-out page	
Rotation direction = increas. values	I E	B clockwise counter-clockwise	
Scale	N VK	C normal scale special scale	standard customer-specified, for 1st fabrication, no VK
Measuring ring ratio / division	x/y	D x = ratio / y = division	both for the first rotation
Handle	OG 1x 2x	E without handle 1 handle 2 handles	standard
Material		aluminium	
Colour		black	
Weight		0.9 kg	

Your ordering data: SO 100 -  -  -  -  -