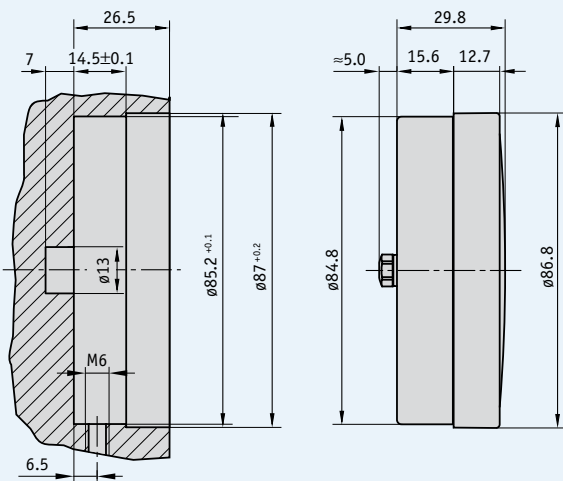


# Mechanical analog position indicator SZ80/1

## With additional digital counter

### Profile

- Combined analog-digital position indicator
- Data logging based on the gravity principle
- High stability thanks to doubly supported pointer shaft
- Very robust, glass-fiber reinforced plastic housing
- Counter with 5 decades
- Special scales, also for small numbers of pieces
- Dustproof or oil-filled versions



### Mechanical data

Feature	Technical data	Additional information
Housing	plastic, reinforced	
Weight of version N	0.2 kg	
Weight of version P	0.3 kg	

## Order

### Order table

Feature	Order data	Technical data	Additional information
Version	N	dustproof	standard
	P	oil-filled	
Indication after 1 <sup>st</sup> revolution	...	2, 2/5, 3, 4, 5, 6, 8, 10, 15	e.g. 00010
	B	others on request	
Decimal places	0	0 = 00000	
	1	1 = 0000.0	
	2	2 = 000.00	
	3	3 = 00.000	
	4	4 = 0.0000	
Sense of rotation = ascending values	i	clockwise	
	e	counter-clockwise	
Pointer	1	pointer running 1:1	
	0Z	without pointer	
Cover glass	S	plastic	
	A	plastic, acetone-resistant	
Scale	N	normal scale	related to indication after 1 <sup>st</sup> revolution
	VK	special scale	custom-designed, no VK with first article
Scale imprint	C1	one-color	
	C2	two-color	
	C3	three-color	

### Order code

SZ80/1 -  -  -  -  -  -  -  -

A      B      C      D      E      F      G      H

**Scope of delivery:** SZ80/1

**Accessories:**  
Drawing aid for scales

Page 111

**Additional information:**  
General information and areas of application

Page 68 cont.